

COAXIAL ADAPTER

BNC-BNC Standard Series

Features

- ✓ Frequency Range: DC to 8 GHz
- ✓ High Durability
- ✓ Lower VSWR

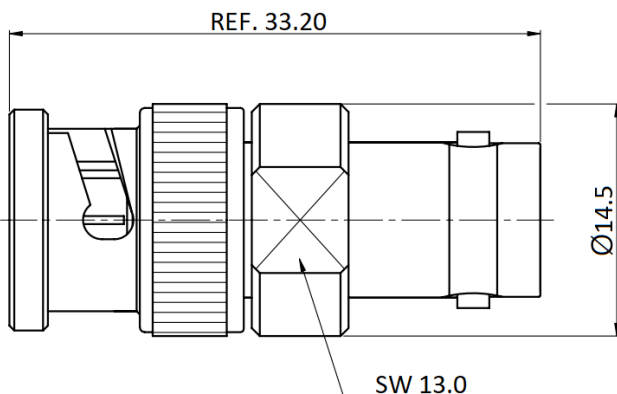


Specifications

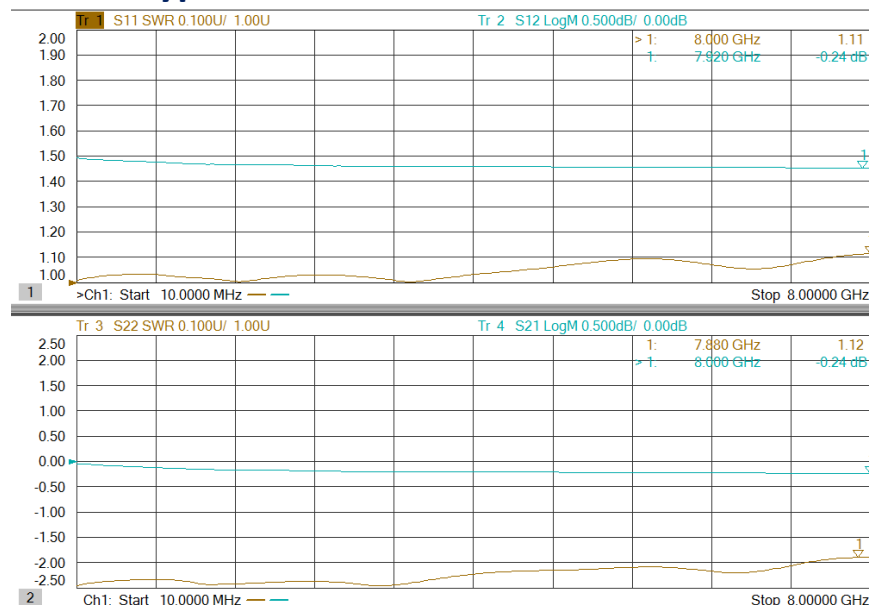
PART NUMBER	MVE1263H
DESCRIPTION	BNC Male To BNC Female, Adapter, DC-8GHz
ELECTRICAL	MATERIALS
FREQUENCY: DC-8GHz IMPEDANCE: 50OHM VSWR:1.15:1 MAX. TEMPERATURE RANGE:-55°C~+165°C DURABILITY: 500 CYCLE MIN.	BODY: STAINLESS STEEL, PASSIVATED CONTACT: BERYLLIUM COPPER ALLOY, GOLD PLATED INSULATOR: PEI,PTFE

Tolerance: X=±0.5 X.X=±0.2 .XX=±0.13

Outline Drawing (Unit: mm)



Typical Test Result



NOTES:

1. ALL SPECIFICATIONS ARE SUBJECT TO CHANGE WITHOUT NOTICE AT ANY TIME
2. CUSTOMER OUTLINE DRAWING FOR REFERENCE ONLY

