

COAXIAL ADAPTER

SMA-SMA Precision Series

Features

- ✓ Frequency up to 18GHz
- ✓ Low VSWR
- ✓ High Durability

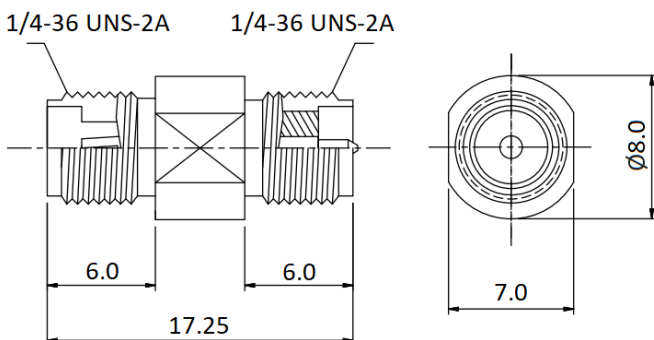


Specifications

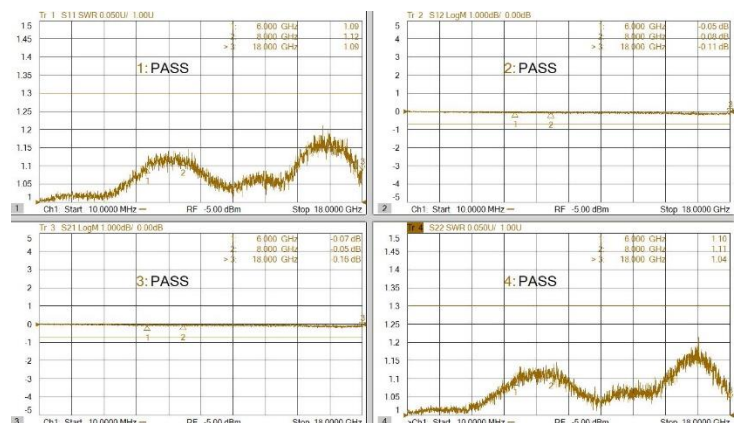
PART NUMBER	MVE1727
DESCRIPTION	50 Ohm SMA Female Reverse To SMA Female Adapter, DC-18GHz
ELECTRICAL	MATERIALS
FREQUENCY: DC-18GHz IMPEDANCE: 50 Ohm WORKING VOLTAGE: 335Vrms MAX. DIELECTRIC WITHSTANDING VOLTAGE: 1000Vrms MAX. INSULATOR RESISTANCE: 5000 MEGOHMS MIN. VSWR: 1.3:1 MAX.	BODY: BRASS, GOLD PLATED 10u" CONTACT: BERYLLIUM COPPER, GOLD PLATED 30u" INSULATOR: PTFE

TOLERANCE: X=±0.2 X.X=±0.1 X.XX=±0.05

Outline Drawing (Unit: mm)



Typical Test Result



NOTES:

1. ALL SPECIFICATIONS ARE SUBJECT TO CHANGE WITHOUT NOTICE AT ANY TIME
2. CUSTOMER OUTLINE DRAWING FOR REFERENCE ONLY

