

# COAXIAL ADAPTER

## 2.4mm-2.4mm Precision Series

### Features

- ✓ Frequency up to 50GHz
- ✓ Low VSWR
- ✓ High Performance design

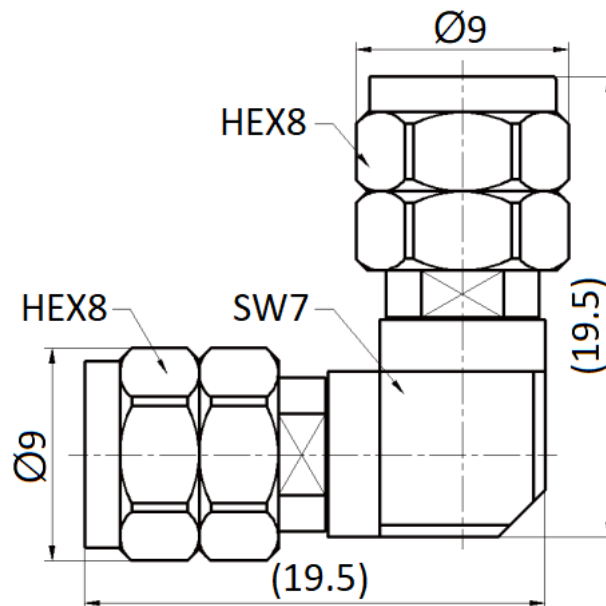


### Specifications:

<b>PART NUMBER</b>	<b>MVE1144</b>
<b>DESCRIPTION</b>	2.4mm Male To 2.4mm Male R/A , 50GHz Adapter / Stainless
<b>ELECTICAL</b>	FREQUENCY : DC-50GHz IMPEDANCE: 50Ω VSWR: 1.25:1 MAX.
<b>MATERIALS</b>	BODY: STAINLESS STEEL, PASSIVATED PIN CONTACT: BERYLLIUM COPPER&BRASS, GOLD PLATED INSULATORS: PTFE&PEI

Tolerance: ±0.5mm

### Outline Drawing (Unit: mm)

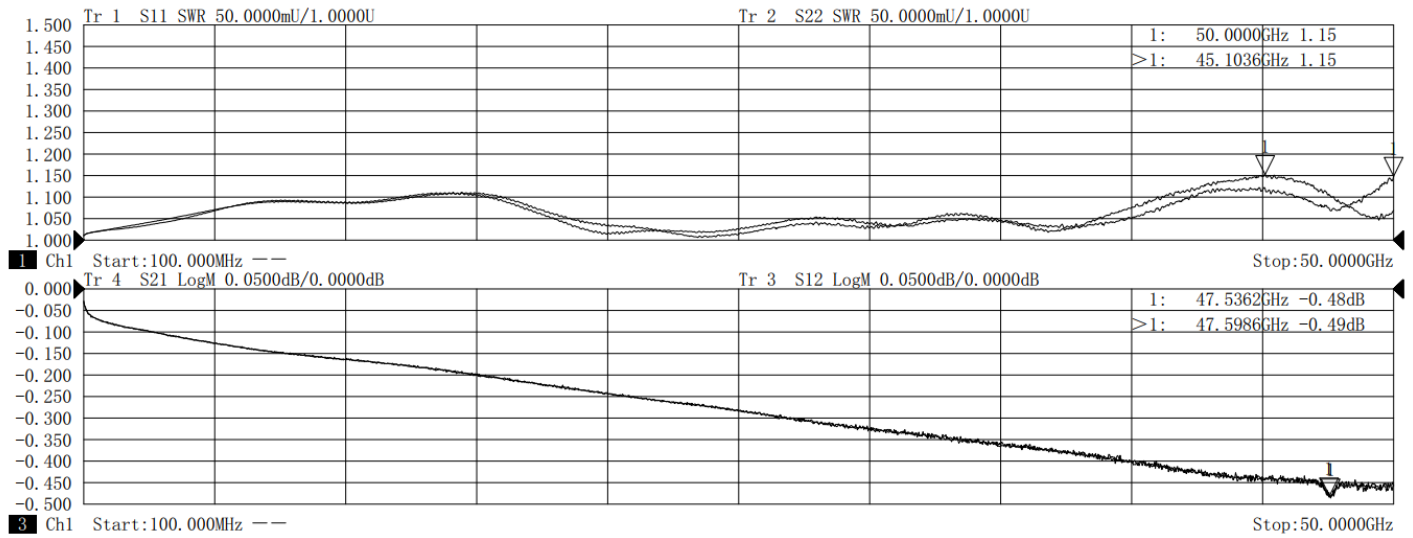


NOTES:

1. ALL SPECIFICATIONS ARE SUBJECT TO CHANGE WITHOUT NOTICE AT ANY TIME
2. CUSTOMER OUTLINE DRAWING FOR REFERENCE ONLY



## Typical Test Result



NOTES:

1. ALL SPECIFICATIONS ARE SUBJECT TO CHANGE WITHOUT NOTICE AT ANY TIME
2. CUSTOMER OUTLINE DRAWING FOR REFERENCE ONLY

