

TERMINATION

8GHz SMA
5Watt

Features

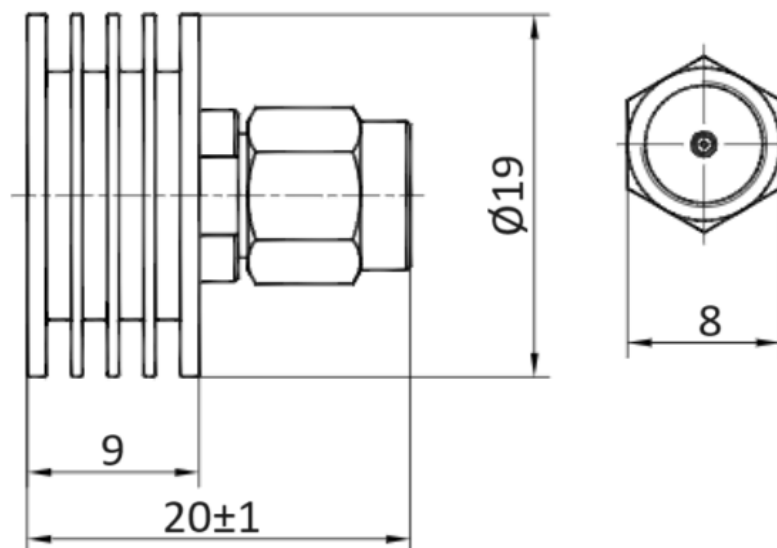
- ✓ Frequency Range: DC-8GHz
- ✓ Low VSWR
- ✓ High performance design

Specifications

PART NUMBER	MVE5134
DESCRIPTION	SMA Male Termination, 5W DC-8GHz
ELECTRICAL	MATERIALS
FREQUENCY: DC-8GHz IMPEDANCE: 50 Ohms VSWR: 1.20:1 MAX. AVERAGE POWER: 5W@25°C TEMPERATURE RANGE: -55 TO +125°C	CONNECTOR: STAINLESS STEEL, PASSIVATED

Tolerance: ±0.5mm

Outline Drawing (Unit: mm)



NOTES:

1. ALL SPECIFICATIONS ARE SUBJECT TO CHANGE WITHOUT NOTICE AT ANY TIME
2. CUSTOMER OUTLINE DRAWING FOR REFERENCE ONLY

