

# COAXIAL ADAPTER

# SMA-MHF Standard Series

## Features

- ✓ Frequency Range: DC to 10GHz
- ✓ Low VSWR
- ✓ High Durability

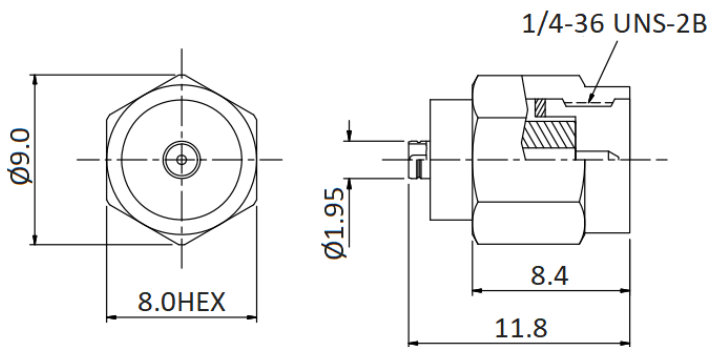


## Specifications

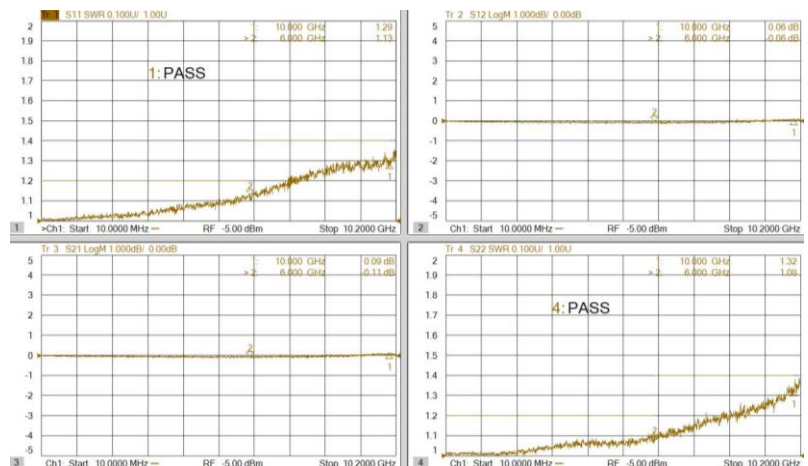
<b>PART NUMBER</b>	MVE1991H
<b>DESCRIPTION</b>	MHF Female To SMA Male Adapter, DC-10GHz, SMA Shell: SUS303
<b>ELECTRICAL</b>	<b>MATERIALS</b>
FREQUENCY: DC-10GHz VSWR: 1.2:1 MAX.(DC-6GHz) 1.4:1 MAX.(6-10GHz) WORKING VOLTAGE: 335Vrms MAX. DIELECTRIC WITHSTANDING VOLTAGE: 1000Vrms MAX. INSULATOR RESISTANCE: 5000 MEGOHMS MIN. IPEX DURABILITY: 1000 CYCLES MIN.	BODY: BRASS, GOLD PLATED CONTACT: BE. COPPER, GOLD PLATED SHELL: SUS303, PASSIVATED INSULATOR: TEFLON C-RING: BE. COPPER GASKET: SILICON

TOLERANCE: X=±0.2 X.X=±0.1 X.XX=±0.05

## Outline Drawing (Unit: mm)



## Typical Test Result



### NOTES:

1. ALL SPECIFICATIONS ARE SUBJECT TO CHANGE WITHOUT NOTICE AT ANY TIME
2. CUSTOMER OUTLINE DRAWING FOR REFERENCE ONLY

