

# COAXIAL ADAPTER

## BNC-N Standard Series

### Features

- ✓ Frequency Range: DC-4GHz
- ✓ High performance design
- ✓ High Durability

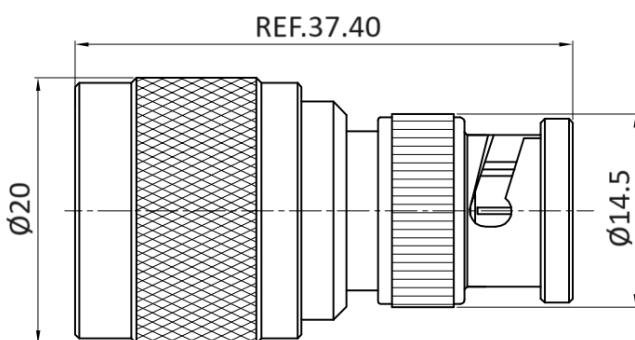


### Specifications

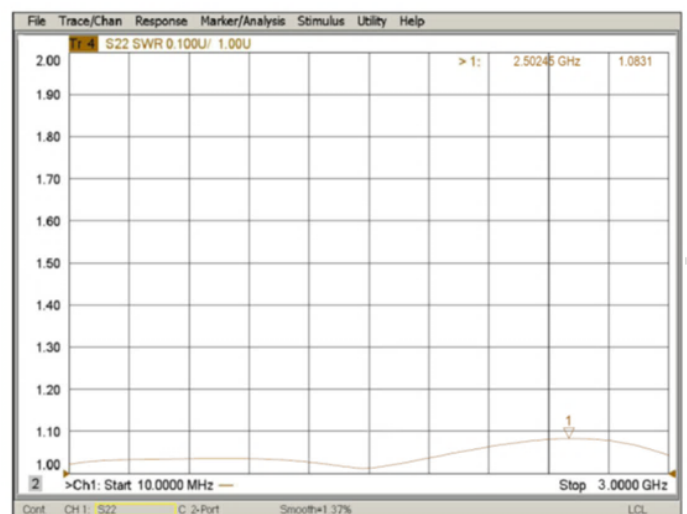
<b>PART NUMBER</b>	MVE1434
<b>DESCRIPTION</b>	BNC Male To N Male, DC-4GHz Adapter
<b>ELECTRICAL</b>	
FREQUENCY: DC-4GHz IMPEDANCE: 50Ω VSWR: 1.35:1 MAX. DURABILITY(MATINGS): >500 CYCLES TEMPERATURE RANGE: -55~+165°C WITHSTANDING VOLTAGE :1000V INSULATION RESISTANCE: 5000MΩ MIN.	
<b>MATERIALS</b>	
BODY: BRASS, NICKEL-PLATED PIN CONTACT: BRASS, GOLD-PLATED COUPLING NUT: BRASS, NICKEL-PLATED INSULATOR: PTFE GASKET: SILICONE RUBBER	

Tolerance: X=±0.5    X.X=±0.2    .XX=±0.13

### Outline Drawing (Unit: mm)



### Typical Test Result



- NOTES:
1. ALL SPECIFICATIONS ARE SUBJECT TO CHANGE WITHOUT NOTICE AT ANY TIME
  2. CUSTOMER OUTLINE DRAWING FOR REFERENCE ONLY

