

COAXIAL ADAPTER

BNC-N Standard Series

Features

- ✓ High performance design
- ✓ Frequency Range: DC to 4 GHz
- ✓ High Durability

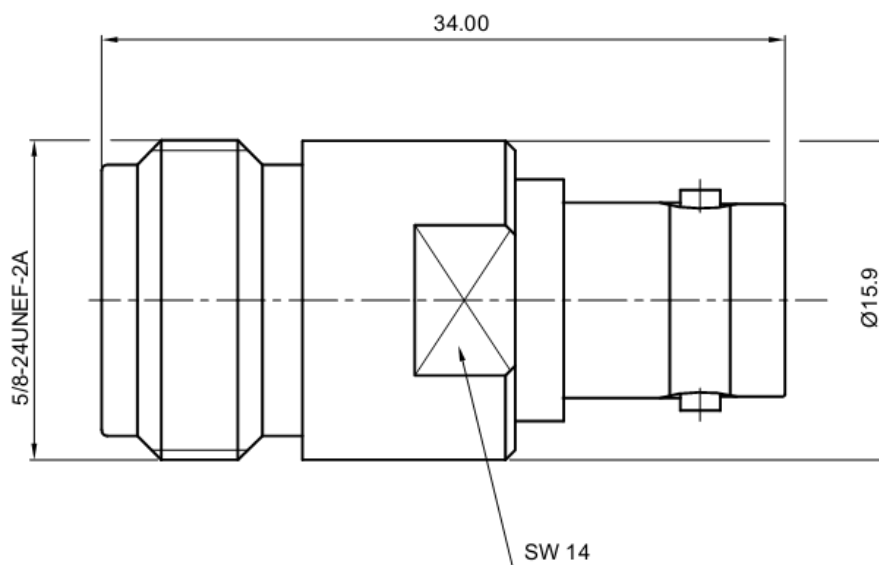


Specifications

PART NUMBER	MVE1391H
DESCRIPTION	BNC Female To N Female, DC-4GHz Adapter
ELECTRICAL	MATERIALS
FREQUENCY: DC-4GHz IMPEDANCE: 50OHM WITHSTANDING VOLTAGE: 1000 V INSULATION RESISTANCE: $\geq 5000M\Omega$ DURABILITY: 500 CYCLE MIN. TEMPERATURE RANGE: $-65\text{ }^{\circ}\text{C} \sim +165\text{ }^{\circ}\text{C}$	BODY: BRASS, NICKEL-PLATED CONTACT: PHOSPHOR BRONZE, GOLD PLATED INSULATOR: PTFE

Tolerance: X= ± 0.5 X.X= ± 0.2

Outline Drawing (Unit: mm)



NOTES:
1. ALL SPECIFICATIONS ARE SUBJECT TO CHANGE WITHOUT NOTICE AT ANY TIME
2. CUSTOMER OUTLINE DRAWING FOR REFERENCE ONLY

