

# COAXIAL ADAPTER

## BNC Type Standard Series

### Features

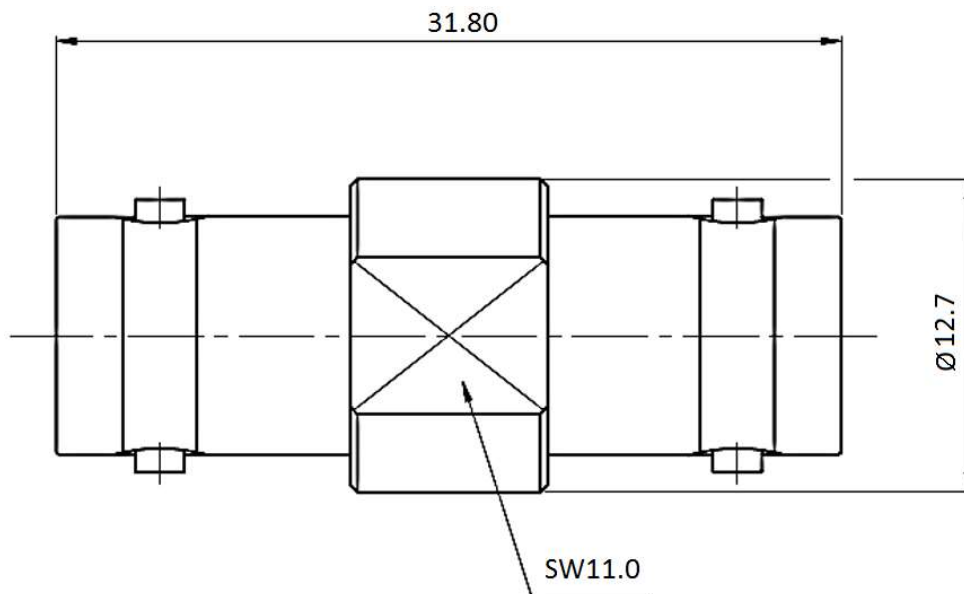
- ✓ Frequency up to 8GHz
- ✓ Low VSWR
- ✓ BNC Interface

### Specifications

<b>PART NUMBER</b>	MVE1266	
<b>DESCRIPTION</b>	BNC Female To BNC Female Adapter, DC-8GHz Adapter/ Stainless Steel	
	<b>ELECTRICAL</b>	<b>MATERIALS</b>
	FREQUENCY : DC-8GHz IMPEDANCE: 50Ω VSWR: 1.15:1 MAX. TEMPERATURE RANGE: -55~+165°C DURABILITY: 500CYCLE MIN.	BODY: STAINLESS STEEL, PASSIVATED INSULATOR: PEI, PTFE PIN CONTACT: BERYLLIUM COPPER ALLOY, GOLD PLATED

TOLERANCE: X=±0.5    X.X=±0.2    .XX=±0.1

### Outline Drawing (Unit: mm)



NOTES:

1. ALL SPECIFICATIONS ARE SUBJECT TO CHANGE WITHOUT NOTICE AT ANY TIME
2. CUSTOMER OUTLINE DRAWING FOR REFERENCE ONLY

