

COAXIAL ADAPTER

2.4mm-2.4mm Precision Series

Features

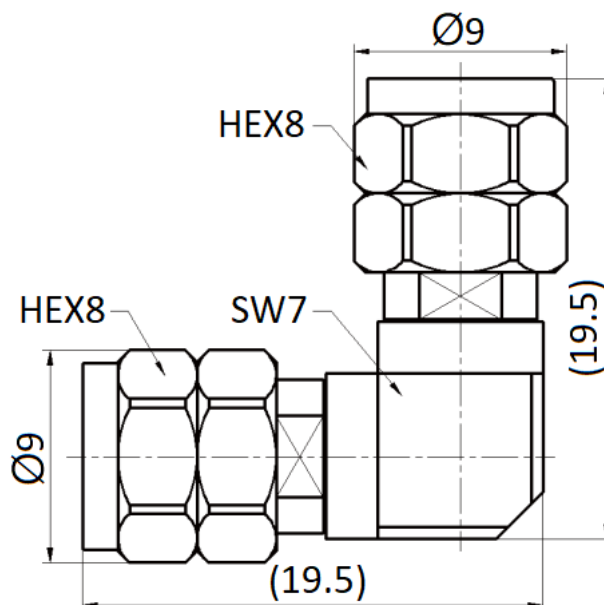
- ✓ Frequency up to 50GHz
- ✓ Low VSWR
- ✓ High Performance design

Specifications:

PART NUMBER	MVE1144
DESCRIPTION	2.4mm Male To 2.4mm Male R/A , 50GHz Adapter / Stainless
ELECTICAL	FREQUENCY : DC-50GHz IMPEDANCE: 50Ω VSWR: 1.25:1 MAX.
MATERIALS	BODY: STAINLESS STEEL, PASSIVATED PIN CONTACT: BERYLLIUM COPPER&BRASS, GOLD PLATED INSULATORS: PTFE&PEI

Tolerance: ±0.5mm

Outline Drawing (Unit: mm)



NOTES:

1. ALL SPECIFICATIONS ARE SUBJECT TO CHANGE WITHOUT NOTICE AT ANY TIME
2. CUSTOMER OUTLINE DRAWING FOR REFERENCE ONLY

