

COAXIAL ADAPTER

75OHM F TO 75OHM F Standard Series

Features

- ✓ Impedance : 75 Ohm
- ✓ High performance design
- ✓ Low VSWR

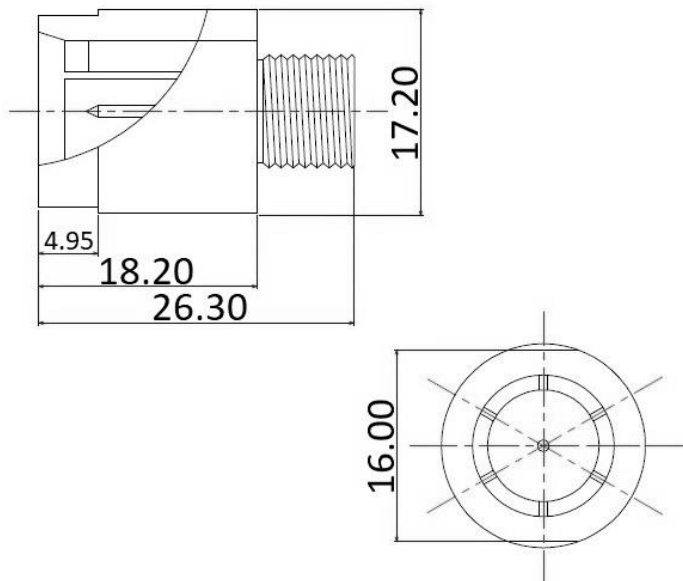


Specifications

PART NUMBER	MVE1005
DESCRIPTION	75 Ohm F Male Quick To F Female Adapter
ELECTRICAL	MATERIALS
FREQUENCY : DC-1GHz IMPEDANCE: 75 Ohm VSWR: 1:1.5 MAX. DURABILITY:10000 CYCLES	BODY: BRASS, NICKEL PLATED CONTACT: PHOSPHOR BRONZE, NICKEL PLATED INSULATOR: PE/POM

Tolerance: ±0.5mm

Outline Drawing (Unit: mm)



Typical Test Result



NOTES:

1. ALL SPECIFICATIONS ARE SUBJECT TO CHANGE WITHOUT NOTICE AT ANY TIME
2. CUSTOMER OUTLINE DRAWING FOR REFERENCE ONLY

