

# COAXIAL CONNECTOR

## SMA Type For Cable Assembly

### Features

- ✓ Frequency Range: DC to 12.4GHz
- ✓ Convenient assembly
- ✓ High performance design

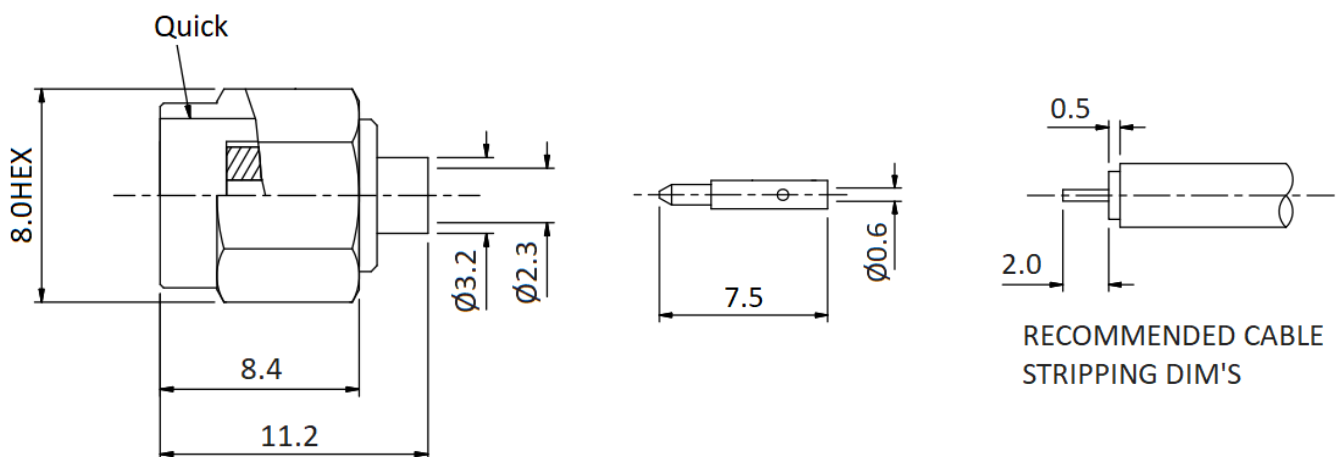


### Specifications

<b>PART NUMBER</b>	MVE3937-11.2
<b>DESCRIPTION</b>	SMA Male S/T Quick for .085 connector, Solder DC-12.4GHz
ELECTRICAL	
FREQUENCY: DC-12.4GHz IMPEDANCE: 50 OHM WORKING VOLTAGE: 250Vrms MAX. DIELECTRIC WITHSTANDING VOLTAGE: 750Vrms MAX. INSULATOR RESISTANCE: 5000 MEGOHMS	
MATERIALS	
BODY: BRASS, GOLD PLATED SHELL: BRASS, GOLD PLATED CENTER PIN: BRASS, GOLD PLATED C-RING: BE. COPPER INSULATOR: TEFLON	

TOLERANCE: X=±0.2 X.X=±0.1 X.XX=±0.05

### Outline Drawing (Unit: mm)



NOTES:

1. ALL SPECIFICATIONS ARE SUBJECT TO CHANGE WITHOUT NOTICE AT ANY TIME
2. CUSTOMER OUTLINE DRAWING FOR REFERENCE ONLY

