

# COAXIAL CONNECTOR

## BNC For cable assembly

### Features

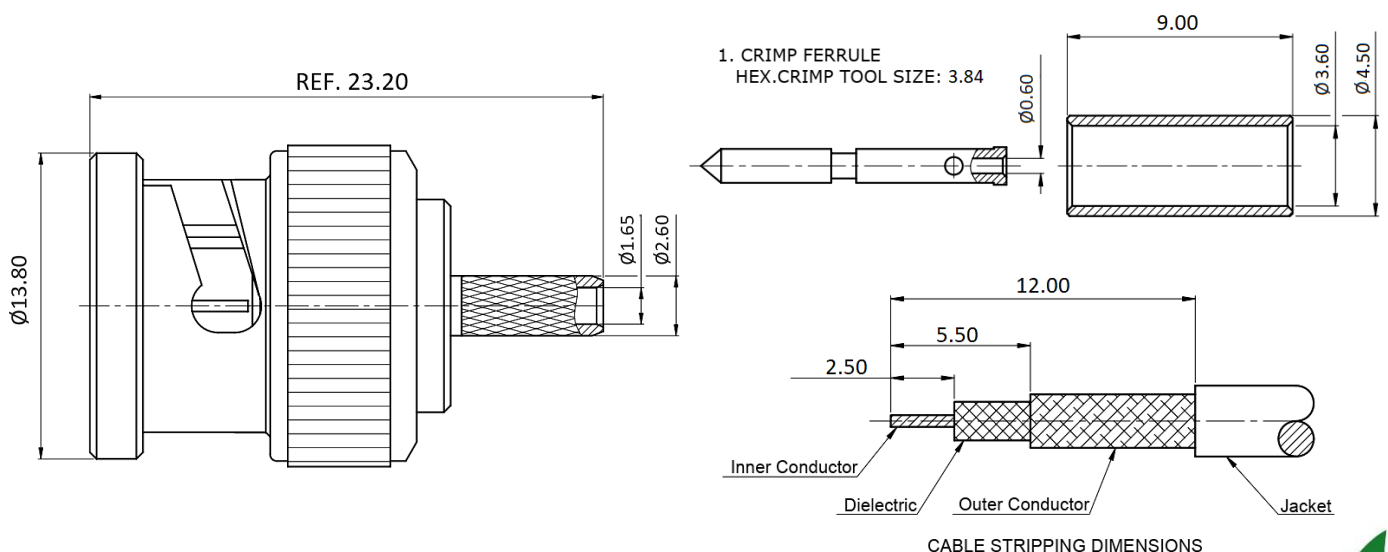
- ✓ Frequency up to 4 GHz
- ✓ Low VSWR
- ✓ Convenient assembly



### Specifications

<b>PART NUMBER</b>	<b>MVE3881-23.2</b>
<b>DESCRIPTION</b>	BNC Male For RG316D Connector, Crimp DC-4GHz
ELECTRICAL	MATERIALS
FREQUENCY: DC-4 GHz IMPEDANCE: 50 ohm WITHSTANDING VOLTAGE: 1000Vrms MAX. INSULATOR RESISTANCE: >5000 Ω DURABILITY (MATINGS): >500 TEMPERATURE RANGE: -55°C~+165°C TOLERANCE: X=±0.5 X.X=±0.2 X.XX=±0.13	BODY: BRASS, NICKEL-PLATED PIN CONTACT: BRASS, GOLD-PLATED COUPLING NUT: BRASS, NICKEL-PLATED INSULATOR: PTFE GASKET: SILICONE RUBBER

### Outline Drawing (Unit: mm)



**NOTES:**

1. ALL SPECIFICATIONS ARE SUBJECT TO CHANGE WITHOUT NOTICE AT ANY TIME
2. CUSTOMER OUTLINE DRAWING FOR REFERENCE ONLY

