

# COAXIAL CONNECTOR

# MMCX MALE FOR RG405 TYPE

## Features

- ✓ Frequency Range: DC to 6GHz
- ✓ Low VSWR
- ✓ High performance design

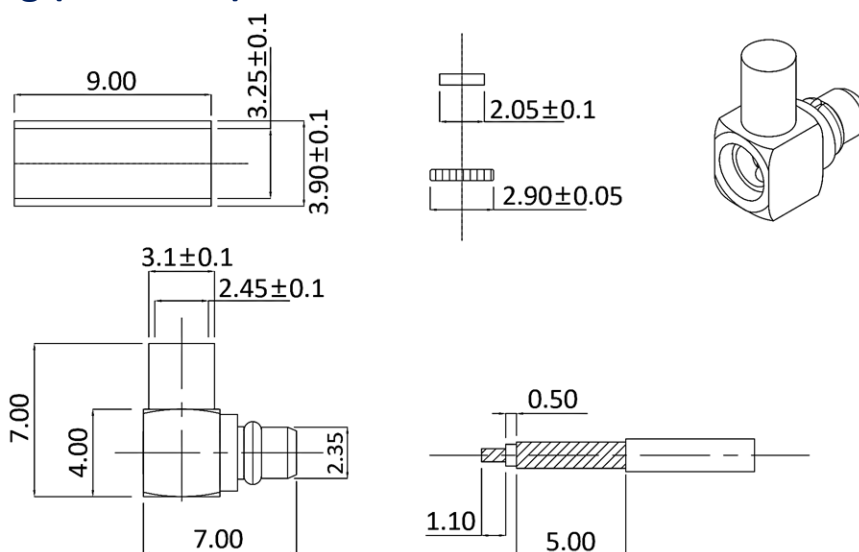


## Specifications

<b>PART NUMBER</b>	MVE3855-7.5
<b>DESCRIPTION</b>	MMCX Male R/A for RG405 connector, Solder DC-6GHz
ELECTRICAL	
FREQUENCY: DC- 6GHz IMPEDANCE: 50 OHM VSWR: 1:1.5 MAX. WORKING VOLTAGE: 375Vrms MAX. DIELECTRIC WITHSTANDING VOLTAGE: 750Vrms MAX. INSULATOR RESISTANCE: 10000 MEGOHMS MIN.	
MATERIALS	
BODY: BRASS, GOLD PLATED CONTACT: BRASS, GOLD PLATED INSULATOR: TEFLON	

TOLERANCE: X=±0.50 X.X=±0.20 X.XX=±0.10

## Outline Drawing (Unit: mm)



### NOTES:

1. ALL SPECIFICATIONS ARE SUBJECT TO CHANGE WITHOUT NOTICE AT ANY TIME
2. CUSTOMER OUTLINE DRAWING FOR REFERENCE ONLY

