

COAXIAL ADAPTER

SMA-MHF4 Standard Series

Features

- ✓ Low VSWR
- ✓ High Durability
- ✓ High performance design

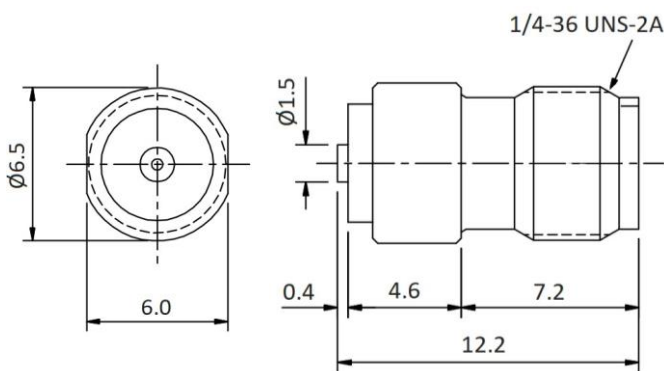


Specifications

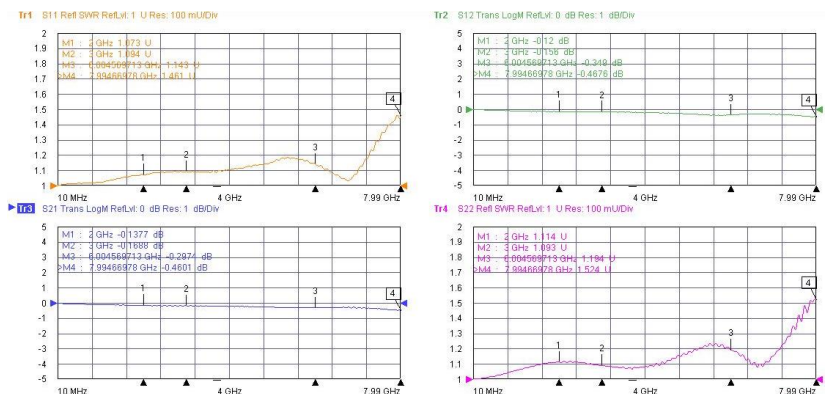
PART NUMBER	MVE1962
DESCRIPTION	50ohm SMA Female To MHF4 Female Adapter, DC-6GHz
ELECTRICAL	MATERIALS
FREQUENCY: DC-6GHz IMPEDANCE: 50ohm VSWR: 1.2:1 MAX. DIELECTRIC WITHSTANDING VOLTAGE: 1000Vrms WORKING VOLTAGE: 170Vrms MAX. INSULATION RESISTANCE: 5000 Mega-Ohms DURABILITY: 500 Cycles	BODY: BRASS, NICKEL PLATED CONTACT: BE.COPPER, GOLD PLATED INSULATOR: TEFLON

TOLERANCE: X=±0.2 X.X=±0.1 X.XX=±0.05

Outline Drawing (Unit: mm)



Typical Test Result



NOTES:

1. ALL SPECIFICATIONS ARE SUBJECT TO CHANGE WITHOUT NOTICE AT ANY TIME
2. CUSTOMER OUTLINE DRAWING FOR REFERENCE ONLY

