

# COAXIAL SWITCH

## MVE9131

**SP10T SMA**  
**Normally Open**

### Features

- ✓ Frequency up to 22 GHz
- ✓ High Power
- ✓ Low Insertion Loss / High Isolation



### SPECIFICATIONS

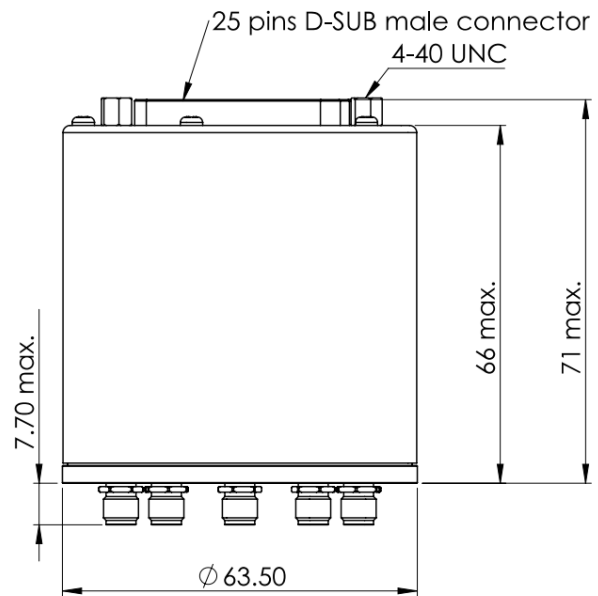
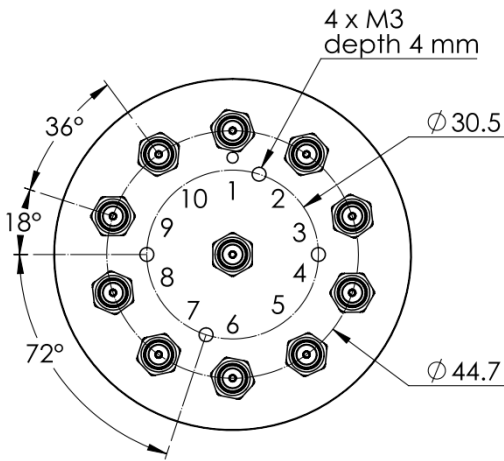
RF CHARACTERISTICS						
FREQUENCY RANGE	0-3GHz	3-8GHz	8-12.4GHz	12.4-15.5GHz	15.5-18GHz	18-22GHz
VSWR MAX.	1.2:1	1.3:1	1.4:1	1.5:1	1.7:1	1.8:1
INSERTION LOSS MAX.	0.2dB	0.3dB	0.4dB	0.5dB	0.7dB	0.8dB
ISOLATION MIN.	80dB	70dB	60dB	60dB	55dB	55dB
AVER. POWER*	240W	150W	120W	110W	100W	90W
ACTUATOR	Normally Open					
NOMINAL CURRENT AT 25 °C (±10%)	250 mA					
ACTUATOR VOLTAGE(Vcc)	12V(10.2-13V)/ NEGATIVE COMMON					
TERMINALS	25 pins D-SUB male connector					
LIFE	2,000,000 cycles					
SWITCHING TIME	<15ms					
CONSTRUCTION	Splashproof					
OPERATING TEMPERATURE	-40°C~+85°C					
STORAGE TEMPERATURE	-55°C~+85°C					

\* AVERAGE POWER @ 25°C

NOTES:  
1. ALL SPECIFICATIONS ARE SUBJECT TO CHANGE WITHOUT NOTICE AT ANY TIME  
2. CUSTOMER OUTLINE DRAWING FOR REFERENCE ONLY

Tolerance: X= ±0.5

### Outline Drawing (Unit: mm)



Voltage	RF Continuity
-C +1	IN ↔ 1
-C +2	IN ↔ 2
-C +3	IN ↔ 3
-C +4	IN ↔ 4
-C +5	IN ↔ 5
-C +6	IN ↔ 6
-C +7	IN ↔ 7
-C +8	IN ↔ 8
-C +9	IN ↔ 9
-C +10	IN ↔ 10

### Electrical Schematic:

