

# COAXIAL CONNETTOR

## SMA Type For RG405 Cable

### Features

- ✓ Frequency up to 18GHz
- ✓ High Durability
- ✓ High performance design

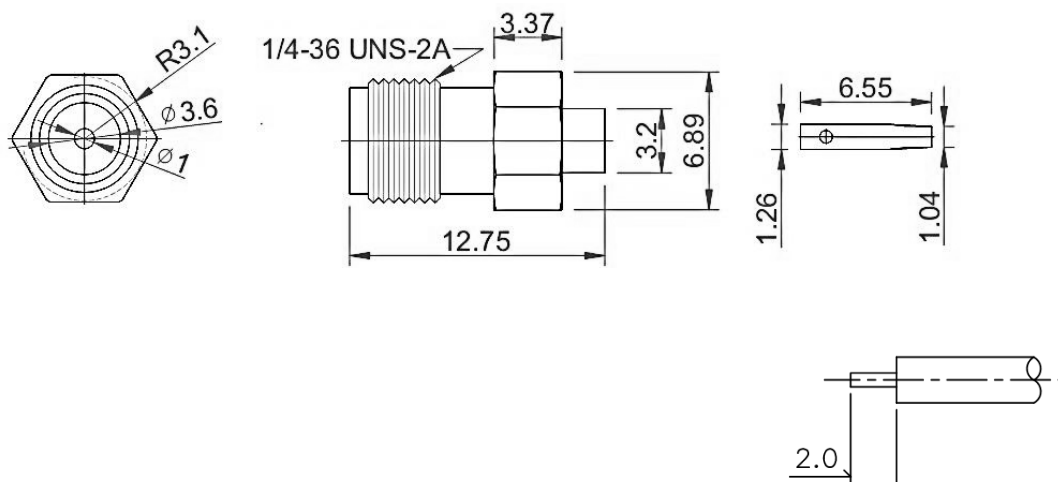


### Specifications

<b>PART NUMBER</b>	MVE3968-12.8
<b>DESCRIPTION</b>	SMA Female for .085 connector, Solder DC-18GHz(H3)
ELECTRICAL	
FREQUENCY: DC-18GHz IMPEDANCE: 50 OHM WORKING VOLTAGE: 500Vrms MAX. DIELECTRIC WITHSTANDING VOLTAGE: 1000Vrms MAX. INSULATOR RESISTANCE: 5000 MEGOHMS MIN.	
MATERIALS	
BODY: BRASS, GOLD PLATED CENTER PIN: BERYLLIUM COPPER, GOLD PLATED 30 u" INSULATOR: TEFLON	

TOLERANCE: X=±0.2 X.X=±0.1 X.XX=±0.05

### Outline Drawing (Unit: mm)



- NOTES:
1. ALL SPECIFICATIONS ARE SUBJECT TO CHANGE WITHOUT NOTICE AT ANY TIME
  2. CUSTOMER OUTLINE DRAWING FOR REFERENCE ONLY

COMMENDED CABLE STRIPPING DIM'S

