

COAXIAL CONNECTOR

75ohm F Type For RG6/U Cable

Features

- ✓ F male Interface
- ✓ Convenient assembly
- ✓ High performance design

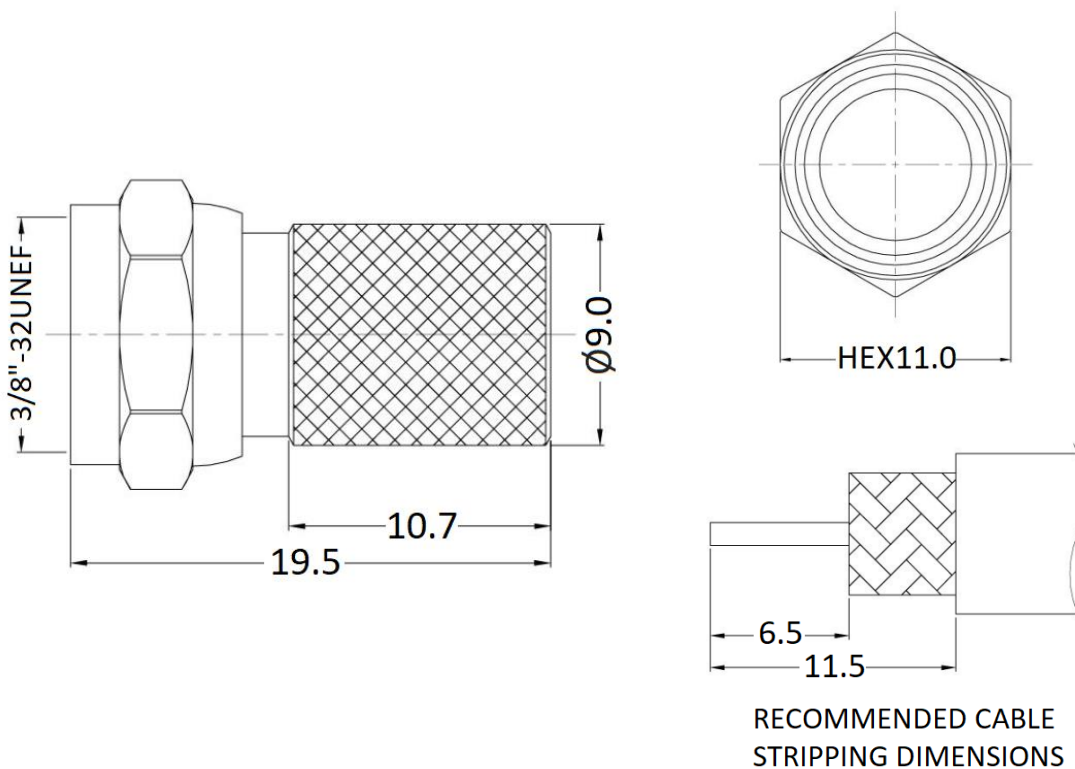


Specifications

PART NUMBER	MVE3856-19.5
DESCRIPTION	75ohm F Male for RG6/U Connector, Crimp
MATERIALS	BODY: BRASS, NICKEL SHELL: BRASS, NICKEL

TOLERANCE: 0.5mm-6mm=±0.2 6mm-30mm=±0.4

Outline Drawing (Unit: mm)



NOTES:

1. ALL SPECIFICATIONS ARE SUBJECT TO CHANGE WITHOUT NOTICE AT ANY TIME
2. CUSTOMER OUTLINE DRAWING FOR REFERENCE ONLY

