

# COAXIAL ADAPTER

## SMA-U.FL Test Probe

### Features

- ✓ Frequency Range: DC to 6 GHz
- ✓ Low VSWR
- ✓ High Durability

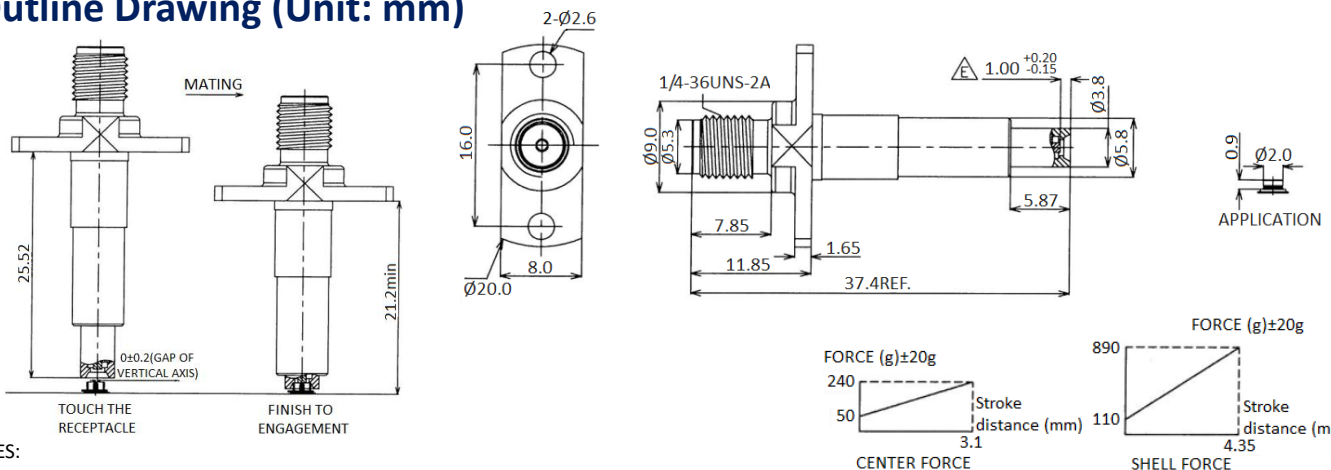


### Specifications

<b>PART NUMBER</b>	MVE1998-S
<b>DESCRIPTION</b>	50ohm U.FL To SMA Female 2 Hole Adapter, DC-6GHz
<b>ELECTRICAL</b>	<b>MATERIALS</b>
FREQUENCY : DC-6GHz IMPEDANCE: 50 Ohm VSWR: 1.5:1 MAX. INSERTION LOSS: 0.7dB MAX. DIELECTRIC WITHSTANDING VOLTAGE: 500 Vrms WORKING VOLTAGE: 170 Vrms MAX. INSULATION RESISTANCE: 1000 Mega Ohms CENTER CONTACT RESISTANCE: 6.0 MINI Ohm OUTER CONTACT RESISTANCE: 2.5MINI Ohm	BODY(GND): BRASS, GOLD PLATED BODY(SMA): BRASS, NICKLE PLATED PIN: PHOSPHOR BRONZE, GOLD PLATED SPRING: HIGH CARBON STEEL INSULATOR: TEFLON (PTFE)
<b>MECHANICAL DATA</b>	<b>TEMPERATURE</b>
COUPLING METHOD: THREADED DURABILITY (MATING/UNMATING): 3000 Cycles ROTATE TORQUE: 200~400 gf-cm (ANTENNA USED) COUPLING NUT RETENTION: 60 lbs MATING TORQUE: 10 in-lbs MAX.	TEMPERATURE RANGE: -65°C to 165°C

TOLERANCE: X=±0.38 X.X=±0.25 X.XX=±0.15

### Outline Drawing (Unit: mm)

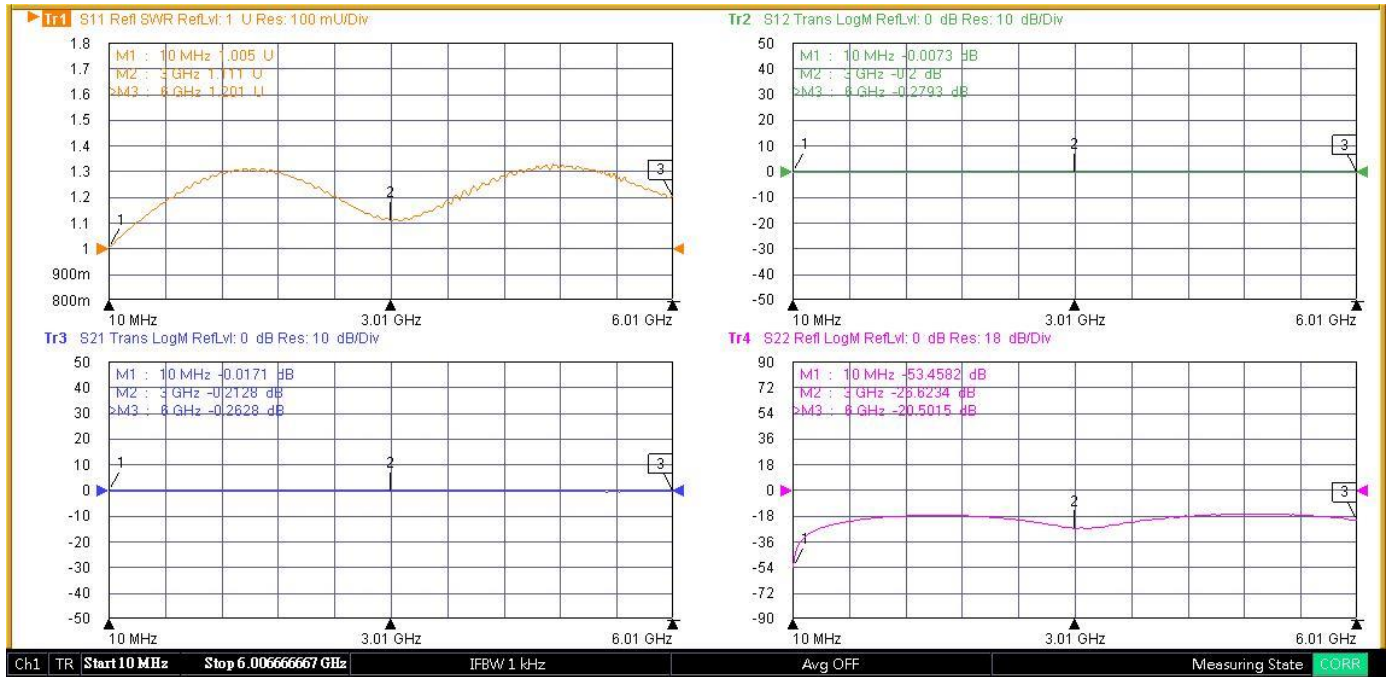


#### NOTES:

1. ALL SPECIFICATIONS ARE SUBJECT TO CHANGE WITHOUT NOTICE AT ANY TIME
2. CUSTOMER OUTLINE DRAWING FOR REFERENCE ONLY



## Typical Test Result



NOTES:

1. ALL SPECIFICATIONS ARE SUBJECT TO CHANGE WITHOUT NOTICE AT ANY TIME
2. CUSTOMER OUTLINE DRAWING FOR REFERENCE ONLY

