

COAXIAL ADAPTER

TNC-N Standard Series

Features

- ✓ High performance design
- ✓ High Durability
- ✓ Low VSWR

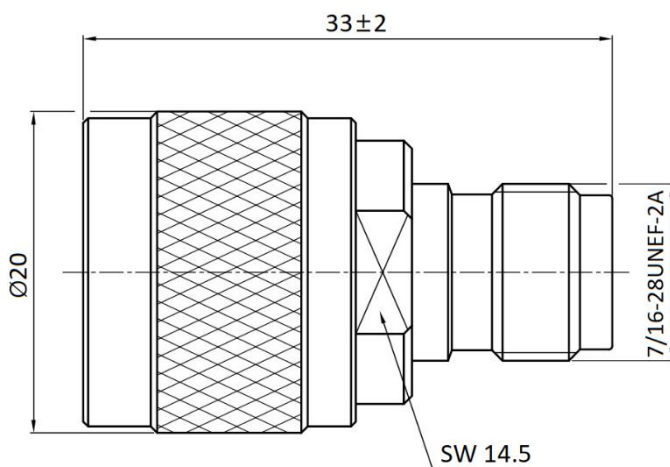


Specifications

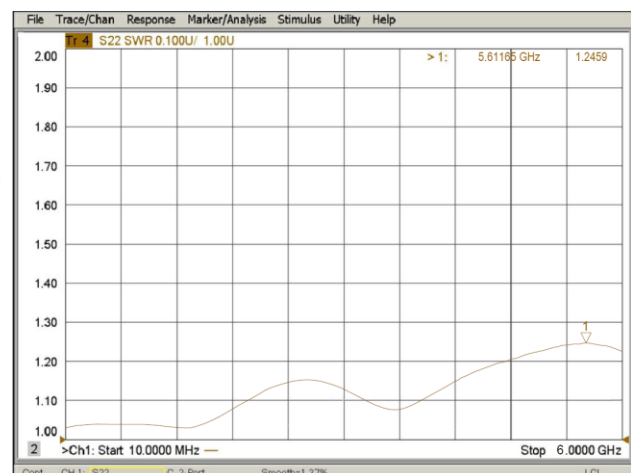
PART NUMBER	MVE1429
DESCRIPTION	TNC Female to N Male, DC-6GHz Adapter
ELECTRICAL	MATERIALS
FREQUENCY: DC-6 GHz IMPEDANCE: 50Ω VSWR: 1.3:1 MAX. INSULATION RESISTANCE: ≥ 5000MΩ WITHSTANDING VOLTAGE: 1000V TEMPERATURE RANGE: -65~+165℃ DURABILITY: 500CYCLE MIN.	BODY: BRASS, NICKEL PLATED CONTACT: PHOSPHOR BRONZE, GOLD PLATED COUPLING NUT: BRASS, NICKEL PLATED INSULATOR: PTFE GASKET: SILICONE RUBBER

Tolerance: X=±0.5 X.X=±0.2 .XX=±0.1

Outline Drawing (Unit: mm)



Typical Test Result



- NOTES:
1. ALL SPECIFICATIONS ARE SUBJECT TO CHANGE WITHOUT NOTICE AT ANY TIME
 2. CUSTOMER OUTLINE DRAWING FOR REFERENCE ONLY

