

# COAXIAL CONNECTOR

## SMA END LAUNCH FOR PCB TYPE

### Features

- ✓ Frequency Range: DC to 12.4 GHz
- ✓ High Durability
- ✓ High performance design

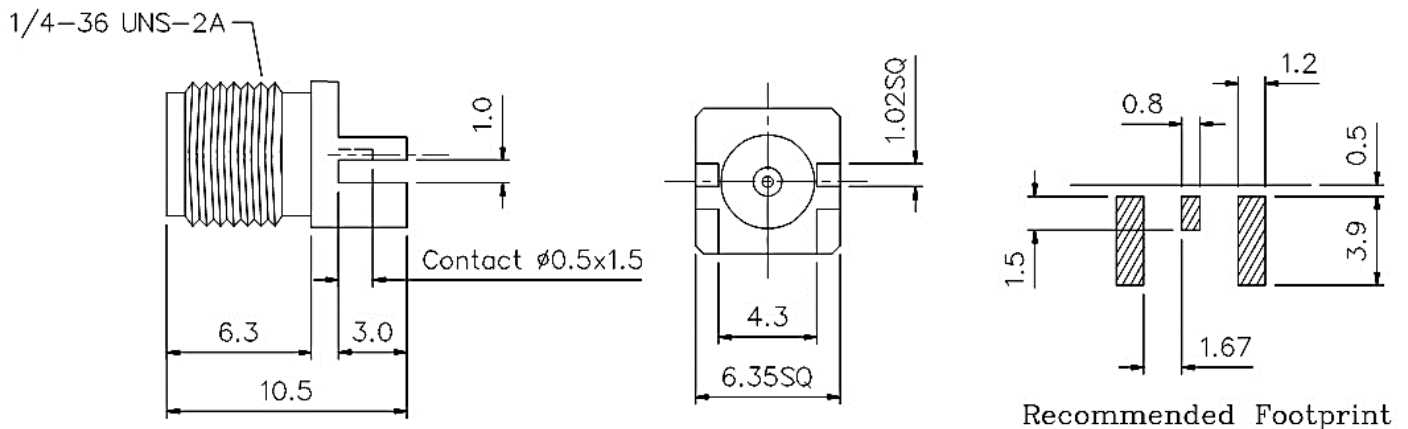


### Specifications

<b>PART NUMBER</b>	MVE3701-1.0H
<b>DESCRIPTION</b>	SMA Female S/T End Launch For PCB Connector/1.0mm, DC-12.4GHz
<b>ELECTRICAL</b>	<b>MATERIALS</b>
FREQUENCY: DC-12.4GHz IMPEDANCE: 50OHM WORKING VOLTAGE: 500Vrms MAX. DIELECTRIC WITHSTANDING VOLTAGE: 1000Vrms MAX. INSULATOR RESISTANCE: 5000MEGOHMS MIN.	BODY: BRASS, GOLD PLATED CONTACT: BE COPPER, GOLD PLATED INSULATOR: PTFE

TOLERANCE: X=±0.2 X.X=±0.1 X.XX=±0.05

### Outline Drawing (Unit: mm)



NOTES:

1. ALL SPECIFICATIONS ARE SUBJECT TO CHANGE WITHOUT NOTICE AT ANY TIME
2. CUSTOMER OUTLINE DRAWING FOR REFERENCE ONLY

