

COAXIAL ADAPTER

SMA-SMA Standard Series

Features

- ✓ Frequency up to 10 GHz
- ✓ High performance design
- ✓ Low VSWR



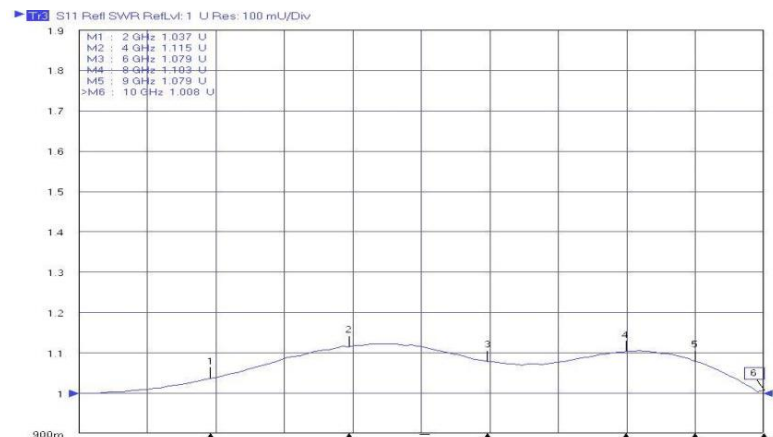
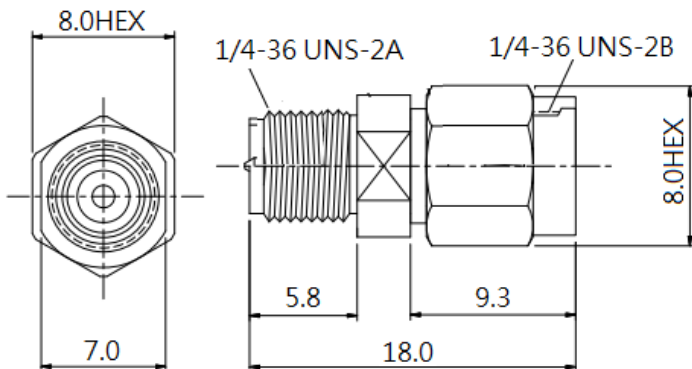
Specifications

PART NUMBER	MVE1715
DESCRIPTION	50ohm SMA Male Reverse To SMA Female Reverse, DC-10GHz Adapter
ELECTRICAL	
FREQUENCY : DC-10GHz IMPEDANCE: 50ohm WORKING VOLTAGE: 335Vrms MAX. DIELECTRIC WITHSTANDING VOLTAGE: 1000Vrms MAX. VSWR: 1.3:1 MAX.	
MATERIALS	
BODY: BRASS, GOLD PLATED CONTACT: BE COPPER, GOLD PLATED SHELL: BRASS, GOLD PLATED INSULATOR: PTFE C-RING: BE. COPPER GASKET: SILICON	

TOLERANCE: X=±0.2 X.X=±0.1 .XX=±0.05

Outline Drawing (Unit: mm)

Typical Test Result



- NOTES:
 1. ALL SPECIFICATIONS ARE SUBJECT TO CHANGE WITHOUT NOTICE AT ANY TIME
 2. CUSTOMER OUTLINE DRAWING FOR REFERENCE ONLY

