

CALIBRATION KITS

MCAL-3303S

3.5mm Female

MCAL-3303SS

3.5mm Male

Features:

- ✓ Standard Kit which includes open-short-load-through components.
- ✓ Low VSWR
- ✓ Frequency Range: DC to 26.5GHz
- ✓ Operational Temperature: -55~+85°C



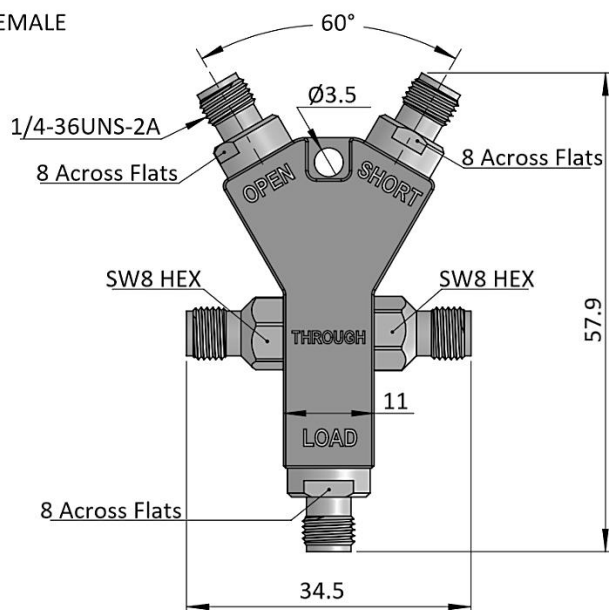
Specifications:

Electrical Specifications	
Load	VSWR: 1.04:1 MAX.
Open	Phase Deviation $\leq \pm 1.5^\circ$
Short	Phase Deviation $\leq \pm 1.5^\circ$
Through	VSWR: 1.08:1 MAX.
Material	
Load/ Open/Short	INNER CONDUCTOR: BERYLLIUM BRONZE, GOLD-PLATED OUTER CONDUCTOR: STAINLESS STEEL, PASSIVATED CONNECT: ALUMINUM, ANODIZED
Through	INNER CONDUCTOR: BERYLLIUM BRONZE, GOLD-PLATED OUTER CONDUCTOR: STAINLESS STEEL, PASSIVATED

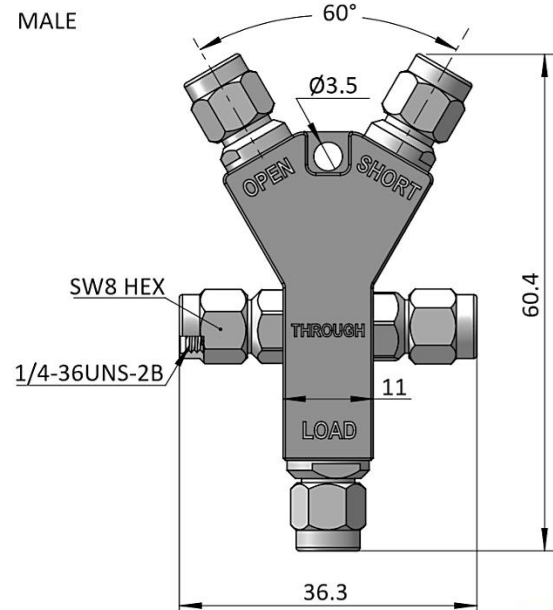
Tolerance: $\pm 0.5\text{mm}$

Outline Drawing (Unit: mm)

FEMALE



MALE



NOTES:

1. ALL SPECIFICATIONS ARE SUBJECT TO CHANGE WITHOUT NOTICE AT ANY TIME
2. CUSTOMER OUTLINE DRAWING FOR REFERENCE ONLY

