

COAXIAL ADAPTER

2.92mm-2.4mm Precision Series

Features

- ✓ Frequency up to 40GHz
- ✓ High Durability
- ✓ Low VSWR

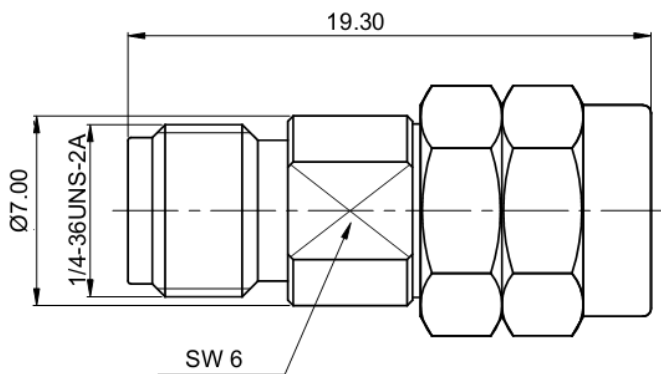


Specifications:

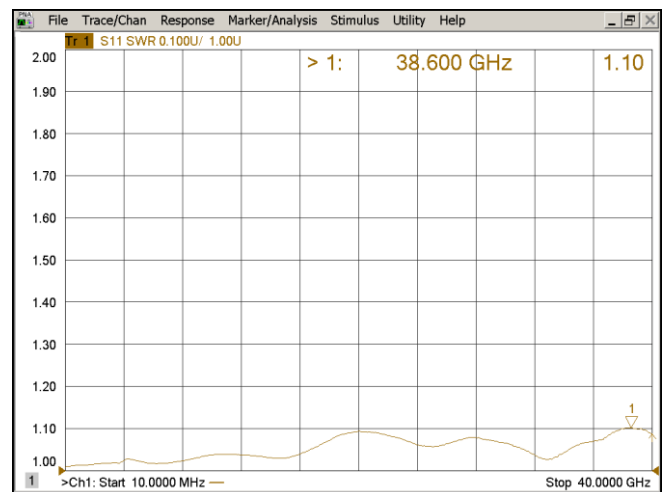
PART NUMBER	MVE1153
DESCRIPTION	2.4mm Male To 2.92mm Female, 40GHz Adapter / Stainless
ELECTRICAL	FREQUENCY: DC-40GHz IMPEDANCE: 50Ω VSWR: 1.15:1 MAX.
MECHANIAL	TEMPERATURE RANGE: -55°C~+165°C DURABILITY: 500 CYCLES MIN.
MATERIALS	BODY: STAINLESS STEEL, PASSIVATED INSULATOR: PEI PIN CONTACT: BERYLLIUM COPPER ALLOY, GOLD-PLATED

Tolerance: X=±0.5 .X=±0.2 .XX=±0.1

Outline Drawing (Unit: mm)



Typical Test Result



- NOTES:
1. ALL SPECIFICATIONS ARE SUBJECT TO CHANGE WITHOUT NOTICE AT ANY TIME
2. CUSTOMER OUTLINE DRAWING FOR REFERENCE ONLY

