

POWER DIVIDER

5MHz-3000MHz
8WAY

Features

- ✓ Frequency coverage from 5MHz to 3000MHz
- ✓ High Isolation
- ✓ High Performance



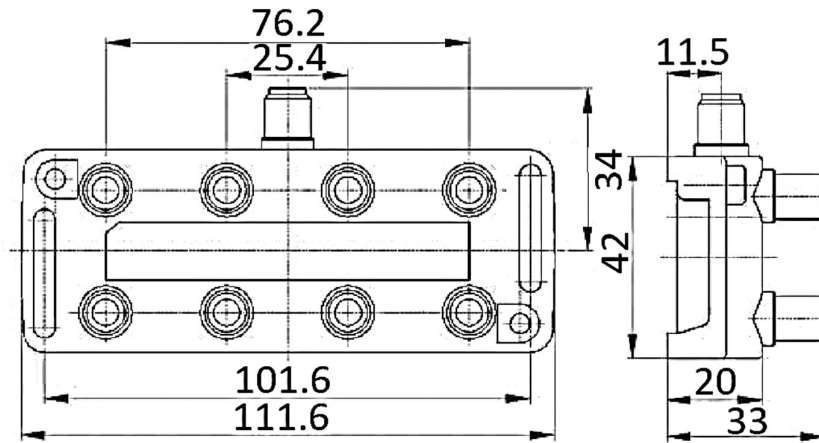
Specifications

FREQUENCY RANGE: 5-3000MHz
CONNECTOR TYPE: F FEMALE
DC PASS VOLTAGE: ≤2A(30VDC)
TEMPERATURE RANGE: -40°C to +70°C

PART NUMBER	WAY	INSERTION LOSS	ISOLATION	RETURN LOSS	
				INPUT	OUTPUT
MVE8922	8	5-40MHz ≤ 12.5dB 40-860MHz ≤ 14dB 860-1750MHz ≤ 15dB 1750-2050MHz ≤ 17.5Db 2050-3000MHz ≤ 19.5dB	18dB Min@ 5-40MHz, 2050-3000MHz 20dB Min@ 40-860MHz, 860-1750MHz 1750-2050MHz 2050-3000MHz	5-40MHz ≥ 10dB 40-860MHz ≥ 12dB 860-1750MHz ≥ 12dB 1750-2050MHz ≥ 12dB 2050-3000MHz ≥ 10dB	5-40MHz ≥ 12dB 40-860MHz ≥ 12dB 860-1750MHz ≥ 12dB 1750-2050MHz ≥ 12dB 2050-3000MHz ≥ 10dB

Tolerance: X= ±0.5

Outline Drawing (Unit: mm)



NOTES:
 1. ALL SPECIFICATIONS ARE SUBJECT TO CHANGE WITHOUT NOTICE AT ANY TIME
 2. CUSTOMER OUTLINE DRAWING FOR REFERENCE ONLY

