

POWER DIVIDER

MVE8921

5MHz-1675MHz
2WAY

Features

- ✓ Frequency coverage from 5MHz to 1675MHz
- ✓ High Isolation
- ✓ High performance

Specifications

FREQUENCY RANGE: 5-1675MHz

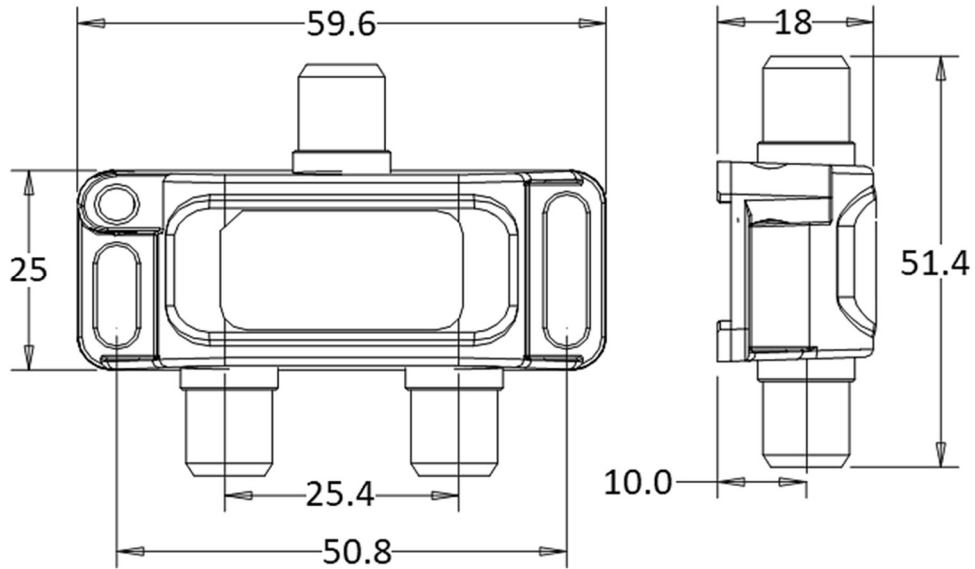
CONNECTOR TYPE: F FEMALE

TEMPERATURE RANGE: -5°C to +45°C

Parameters	FREQUENCY(MHz)	MAX./MIN.	TYP.
INSERTION LOSS	5-54	≤4.3	≤4.0
	54-975	≤4.2	≤3.8
	975-1350	≤5.0	≤4.2
	1350-1675	≤6.0	≤5.4
ISOLATION	5-54	≥22	≥22
	54-750	≥25	≥27
	750-975	≥22	≥23
	975-1350	≥28	≥23
	1350-1675	≥25	≥16
RETURN LOSS IN PUT (dB)	5-54	≥16	≥18
	54-750	≥18	≥23
	750-975	≥16	≥20
	975-1350	≥14	≥16
	1350-1675	≥14	≥14
RETURN LOSS OUT PUT (dB)	5-54	≥16	≥18
	54-750	≥18	≥25
	750-975	≥16	≥20
	975-1350	≥14	≥16
	1350-1675	≥14	≥14
IMPEDANCE	75Ohm		

Tolerance: X= ± 0.5

Outline Drawing (Unit: mm)



NOTES:

1. ALL SPECIFICATIONS ARE SUBJECT TO CHANGE WITHOUT NOTICE AT ANY TIME
2. CUSTOMER OUTLINE DRAWING FOR REFERENCE ONLY

