

# POWER DIVIDER

**5MHz-2300MHz**  
**8WAY**

## Features

- ✓ Frequency coverage from 5MHz to 2300MHz
- ✓ High Isolation
- ✓ High Performance

## Specifications

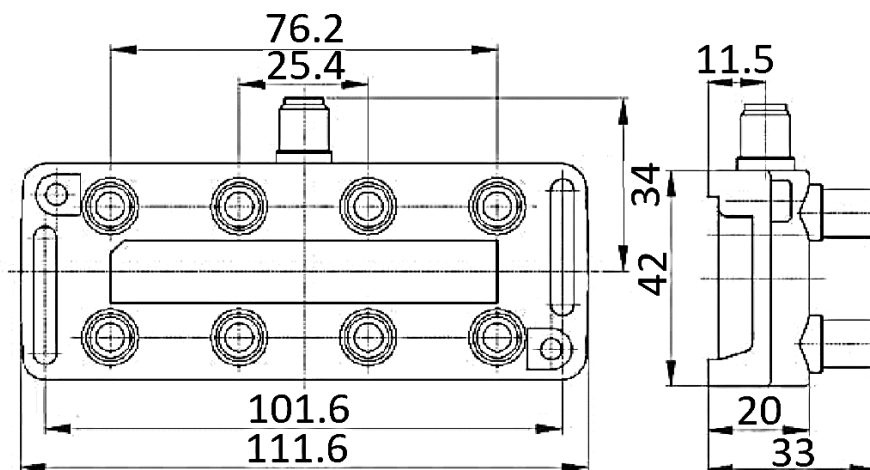
**FREQUENCY RANGE: 5-2300MHz**  
**CONNECTOR TYPE: F FEMALE**  
**DC PASS VOLTAGE: ≤2A(30VDC)**  
**TEMPERATURE RANGE: -40°C to +70°C**



PART NUMBER	WAY	INSERTION LOSS	ISOLATION (MIN.)	RETURN LOSS	
				INPUT	OUTPUT
MVE8920	8	5-40MHz ≤ 12.5dB 40-860MHz ≤ 14dB 860-1750MHz ≤ 15dB 1750-2300MHz ≤ 18.5dB	18dB @ 5-40MHz, 1750-2300MHz 20dB @ 40-860MHz, 860-1750MHz	5-40MHz ≥ 10dB 40-860MHz ≥ 12dB 860-1750MHz ≥ 12dB 1750-2300MHz ≥ 10dB	5-40MHz ≥ 12dB 40-860MHz ≥ 12dB 860-1750MHz ≥ 12dB 1750-2300MHz ≥ 10dB

Tolerance: ±0.5mm

## Outline Drawing (Unit: mm)

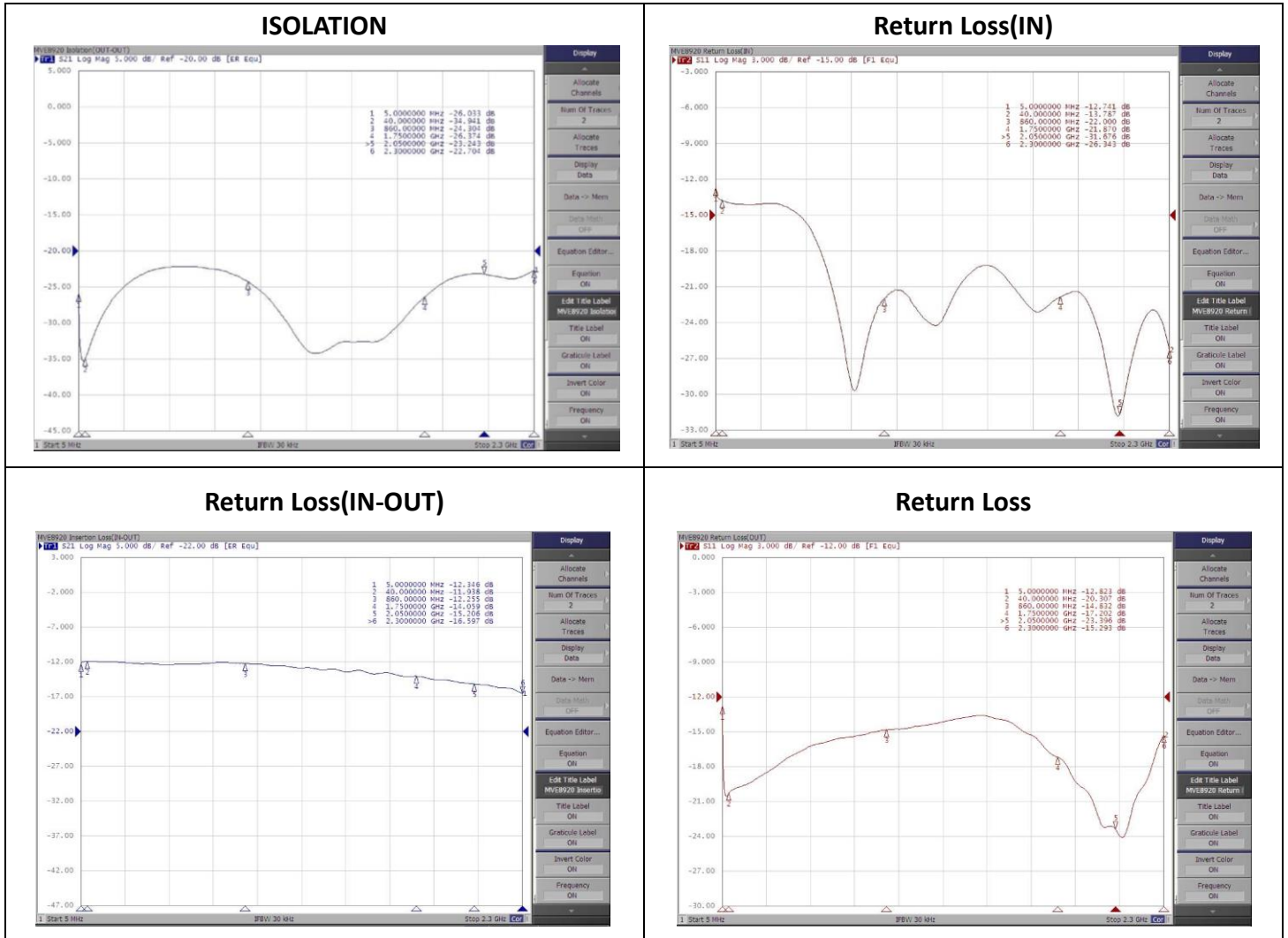


NOTES:

1. ALL SPECIFICATIONS ARE SUBJECT TO CHANGE WITHOUT NOTICE AT ANY TIME
2. CUSTOMER OUTLINE DRAWING FOR REFERENCE ONLY



## Typical Test Result



NOTES:

1. ALL SPECIFICATIONS ARE SUBJECT TO CHANGE WITHOUT NOTICE AT ANY TIME
2. CUSTOMER OUTLINE DRAWING FOR REFERENCE ONLY

