

# POWER DIVIDER

**10MHz-3000MHz**  
**4WAY**

## Features

- ✓ Frequency coverage from 10MHz to 3000MHz
- ✓ High Isolation
- ✓ Low Insertion Loss

## Specifications

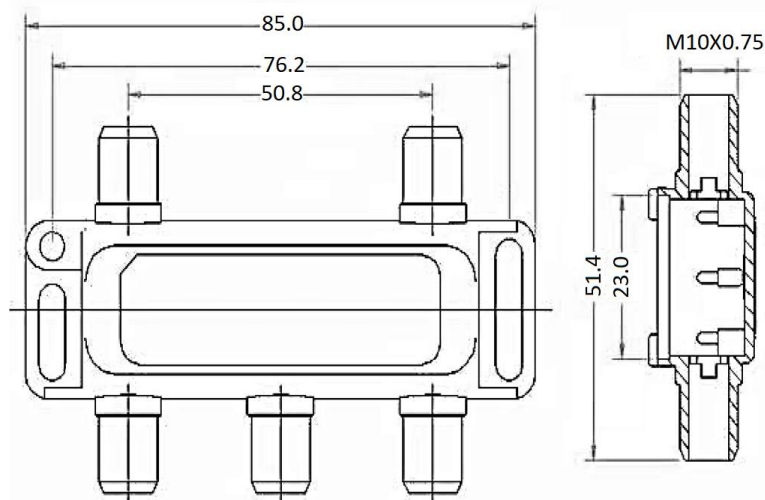
**FREQUENCY RANGE: 10-3000MHz**  
**CONNECTOR TYPE: F FEMALE**  
**DC PASS VOLTAGE: ≤2A(30VDC)**  
**TEMPERATURE RANGE: -40°C to +70°C**



PART NUMBER	WAY	INSERTION LOSS	ISOLATION (MIN.)	SHEILDING ATTENUATION	RETURN LOSS	
					INPUT	OUTPUT
MVE8919	4	10-40MHz ≤ 8.5dB 40-860MHz ≤ 9.8dB 860-1750MHz ≤ 10.3dB 1750-2300MHz ≤ 11.3dB 2300-3000MHz ≤ 12.5dB	18dB @ 10-40MHz, 2300-3000 MHz 20dB @ 40-860 MHz, 1750-2300MHz	100dB @ 5-1000MHz	10-40MHz ≥ 10dB 40-860MHz ≥ 14dB 860-1750MHz ≥ 12dB 1750-2300MHz ≥ 12dB 2300-3000MHz ≥ 10dB	10-40MHz ≥ 12dB 40-860MHz ≥ 14dB 860-1750MHz ≥ 12dB 1750-2300MHz ≥ 12dB 2300-3000MHz ≥ 10dB

Tolerance: ±0.5mm

## Outline Drawing (Unit: mm)



- NOTES:
1. ALL SPECIFICATIONS ARE SUBJECT TO CHANGE WITHOUT NOTICE AT ANY TIME
  2. CUSTOMER OUTLINE DRAWING FOR REFERENCE ONLY



## Typical Test Result

