

POWER DIVIDER

5MHz-3000MHz
2WAY

Features

- ✓ Frequency coverage from 5MHz to 3000MHz
- ✓ High Isolation
- ✓ Low Insertion Loss

Specifications

FREQUENCY RANGE: 5-3000MHz
CONNECTOR TYPE: F FEMALE
TEMPERATURE RANGE: -40°C to +70°C

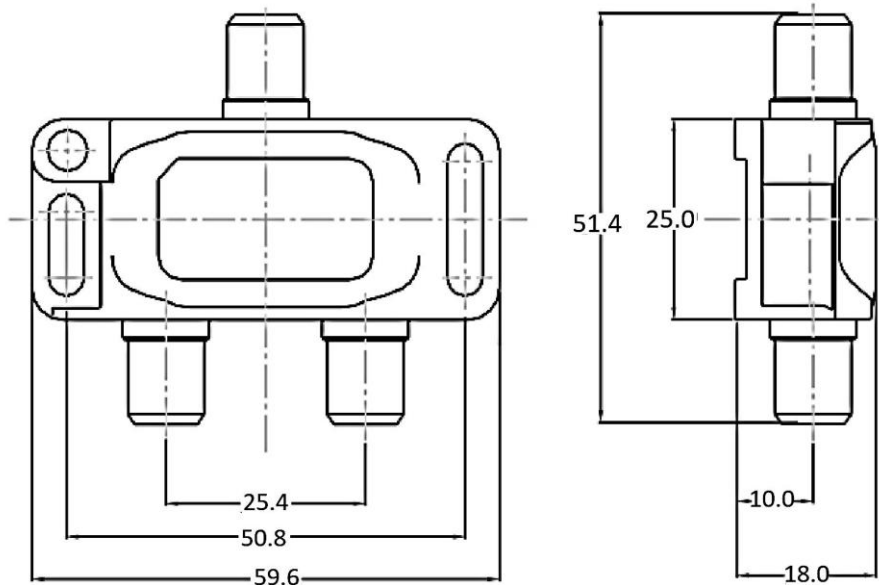


PART NUMBER	WAY	INSERTION LOSS	ISOLATION (MIN.)	SHEILDING ATTENUATION	DC PASS VOLTAGE	RETURN LOSS	
						INPUT	OUTPUT
MVE8918	2	≤6.3dB	18dB	100dB @ 5-3000MHz	≤2A(30VDC)	≥10dB	≥10dB

*Insertion Loss does not include 3.0 dB theoretical loss.

Tolerance: ±0.5mm

Outline Drawing (Unit: mm)

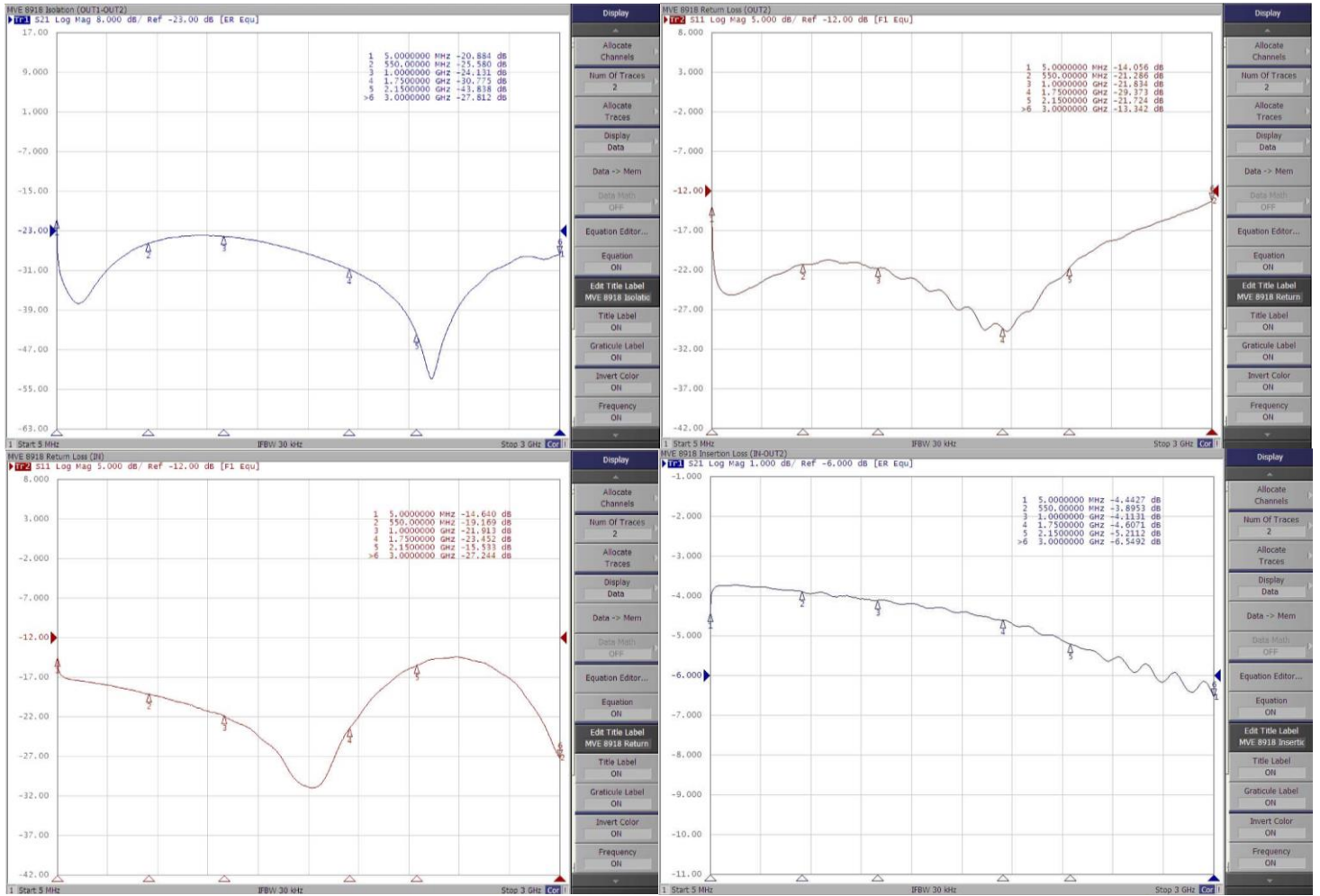


NOTES:

1. ALL SPECIFICATIONS ARE SUBJECT TO CHANGE WITHOUT NOTICE AT ANY TIME
2. CUSTOMER OUTLINE DRAWING FOR REFERENCE ONLY



Typical Test Report



NOTES:

1. ALL SPECIFICATIONS ARE SUBJECT TO CHANGE WITHOUT NOTICE AT ANY TIME
2. CUSTOMER OUTLINE DRAWING FOR REFERENCE ONLY

