

POWER DIVIDER

5MHz-2300MHz
4WAY

Features

- ✓ Frequency coverage from 5MHz to 2300MHz
- ✓ High Isolation
- ✓ High Performance

Specifications

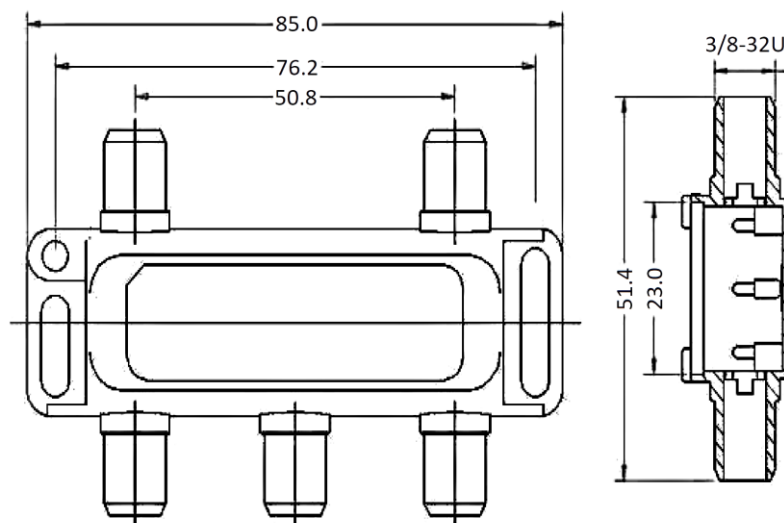
FREQUENCY RANGE: 5-2300MHz
CONNECTOR TYPE: F FEMALE
DC PASS VOLTAGE: ≤2A(30VDC)
TEMPERATURE RANGE: -40°C to +70°C



| PART NUMBER | WAY | INSERTION LOSS | ISOLATION | RETURN LOSS | |
|-------------|-----|--|---|--|--|
| | | | | INPUT | OUTPUT |
| MVE8917 | 4 | 10-40MHz ≤ 8.5dB 40-860MHz ≤ 9.8dB 860-1750MHz ≤ 10.3dB 1750-2300MHz ≤ 11.3dB | 18dB Min@ 10-40MHz 20dB Min@ 40-860MHz, 860-1750MHz 1750-2300MHz | 10-40MHz ≥ 10dB 40-860MHz ≥ 14dB 860-1750MHz ≥ 12dB 1750-2300MHz ≥ 12dB | 10-40MHz ≤ 12dB 40-860MHz ≤ 14dB 860-1750MHz ≤ 12dB 1750-2300MHz ≤ 12dB |

Tolerance: ±0.5mm

Outline Drawing (Unit: mm)



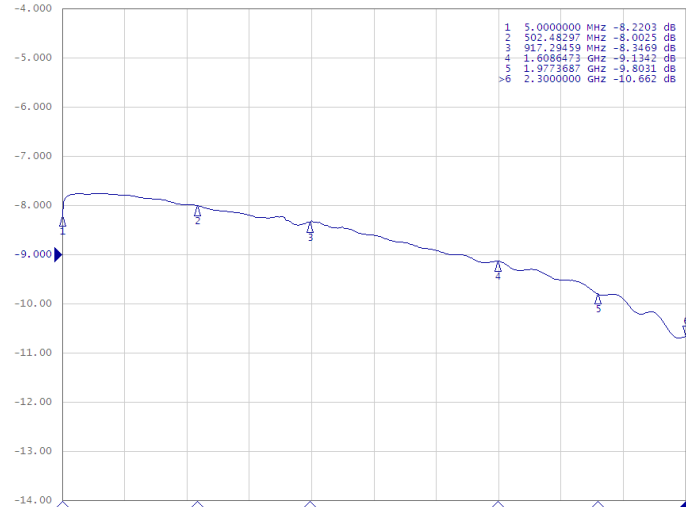
NOTES:

1. ALL SPECIFICATIONS ARE SUBJECT TO CHANGE WITHOUT NOTICE AT ANY TIME
2. CUSTOMER OUTLINE DRAWING FOR REFERENCE ONLY

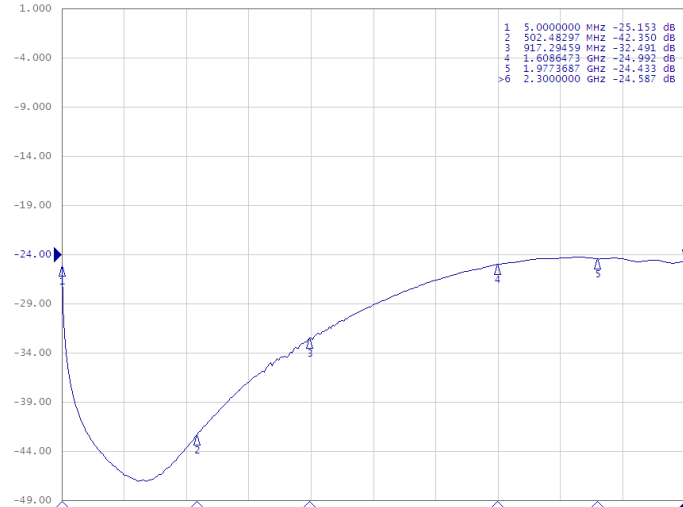


Typical Test Result

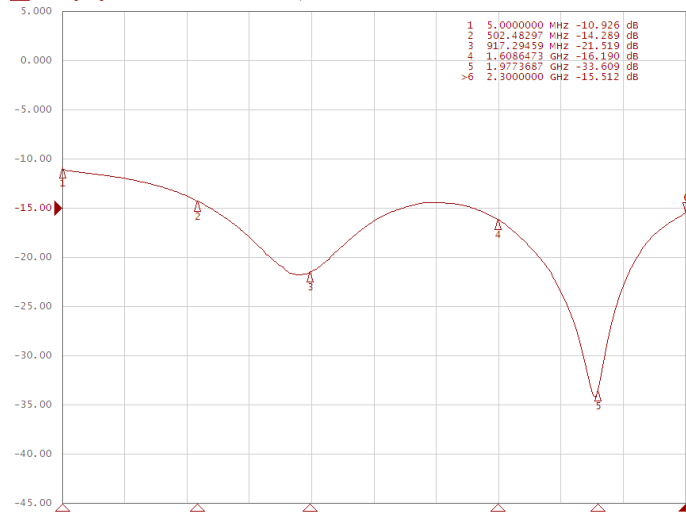
▶ **171** S21 Log Mag 1.000 dB/ Ref -9.000 dB [ER Equ]



▶ **171** S21 Log Mag 5.000 dB/ Ref -24.00 dB [ER Equ]



▶ **172** S11 Log Mag 5.000 dB/ Ref -15.00 dB [F1 Equ]



▶ **172** S11 Log Mag 5.000 dB/ Ref -15.00 dB [F1 Equ]

