

POWER DIVIDER

5MHz-2300MHz
3WAY

Features

- ✓ Frequency coverage from 5MHz to 2300MHz
- ✓ High Isolation
- ✓ High performance

Specifications

FREQUENCY RANGE: 5-2300MHz

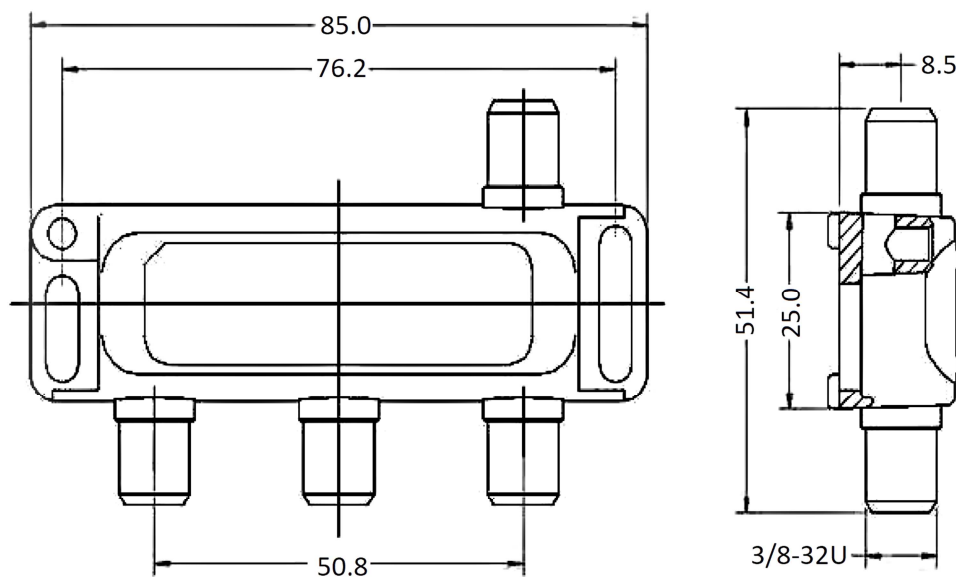
CONNECTOR TYPE: F FEMALE

TEMPERATURE RANGE: -40°C to +70°C

PART NUMBER	WAY	INSERTION LOSS	ISOLATION	SHEILDING ATTENUATION	DC PASS VOLTAGE	RETURN LOSS	
						INPUT	OUTPUT
MVE8916	3	≤10.8dB	18dB Min@5-40MHz 20dB Min@2300MHz	110dB @ 5-1000MHz	≤2A(30VDC)	≥12dB	≥12dB

Tolerance: ±0.5mm

Outline Drawing (Unit: mm)



NOTES:

1. ALL SPECIFICATIONS ARE SUBJECT TO CHANGE WITHOUT NOTICE AT ANY TIME
2. CUSTOMER OUTLINE DRAWING FOR REFERENCE ONLY

