

POWER DIVIDER

5MHz-2300MHz
2WAY

Features

- ✓ Frequency coverage from 5MHz to 2300MHz
- ✓ High Isolation
- ✓ High performance design



Specifications

FREQUENCY RANGE: 5-2300MHz

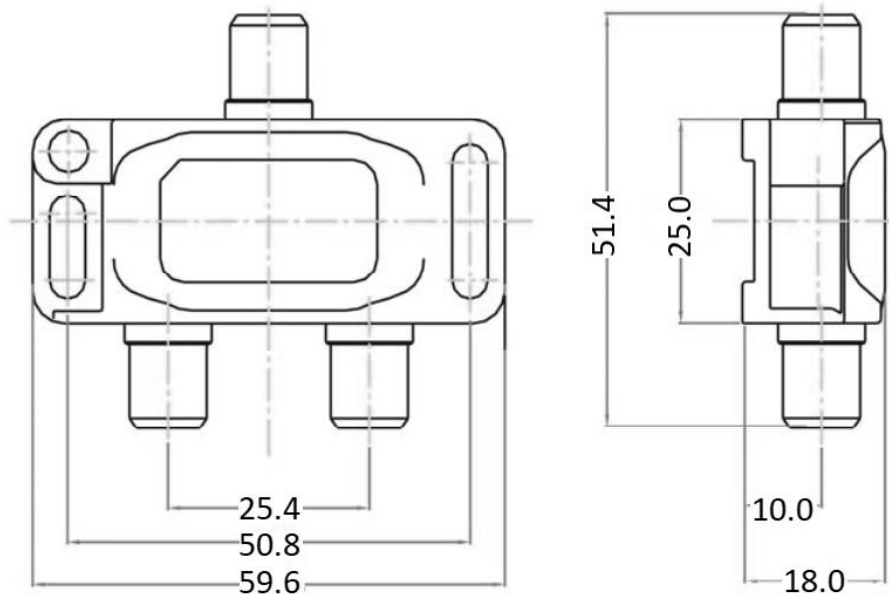
CONNECTOR TYPE: F FEMALE

TEMPERATURE RANGE: -40°C to +70°C

| PART NUMBER | WAY | INSERTION LOSS | ISOLATION | SHEILDING ATTENUATION | DC PASS VOLTAGE | RETURN LOSS | |
|-------------|-----|----------------|--|-----------------------|-----------------|-------------|--------|
| | | | | | | INPUT | OUTPUT |
| MVE8915 | 2 | ≤5.8dB | 18dBMin@5-40MHz 22dB Min@40-2300MHz | 110dB @5-1000MHz | ≤2A (30VDC) | ≥12dB | ≥12dB |

Tolerance: ±0.5mm

Outline Drawing (Unit: mm)



NOTES:

1. ALL SPECIFICATIONS ARE SUBJECT TO CHANGE WITHOUT NOTICE AT ANY TIME
2. CUSTOMER OUTLINE DRAWING FOR REFERENCE ONLY

