

# POWER DIVIDER

**5MHz-1000MHz**  
**2WAY**

## Features

- ✓ Frequency Range: 5 to 1000MHz
- ✓ High Isolation
- ✓ Low Insertion Loss



## Specifications

**FREQUENCY RANGE: 5-1000MHz**

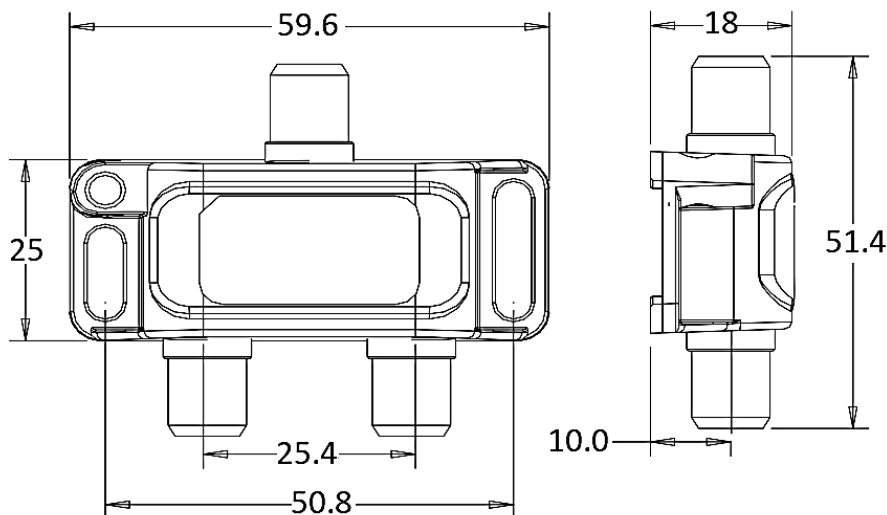
**CONNECTOR TYPE: F FEMALE**

**TEMPERATURE RANGE: -5 to +45°C**

PART NUMBER	WAY	INSERTION LOSS	ISOLATION	SHEILDING ATTENUATION	RETURN LOSS
MVE8904	2	5-65MHz ≤3.6dB 65-550MHz ≤3.7dB 550-750MHz ≤3.8dB 750-1000MHz ≤4.0dB	5-10MHz ≥25dB 10-65MHz ≥28dB 65-750MHz ≥28dB 750-1000MHz ≥25dB	110dB @ 5-1000MHz	5-10MHz ≥16dB 10-550MHz ≥18dB 550-750MHz ≥18dB 750-1000MHz ≥16dB

Tolerance: ±0.5mm

## Outline Drawing (Unit: mm)

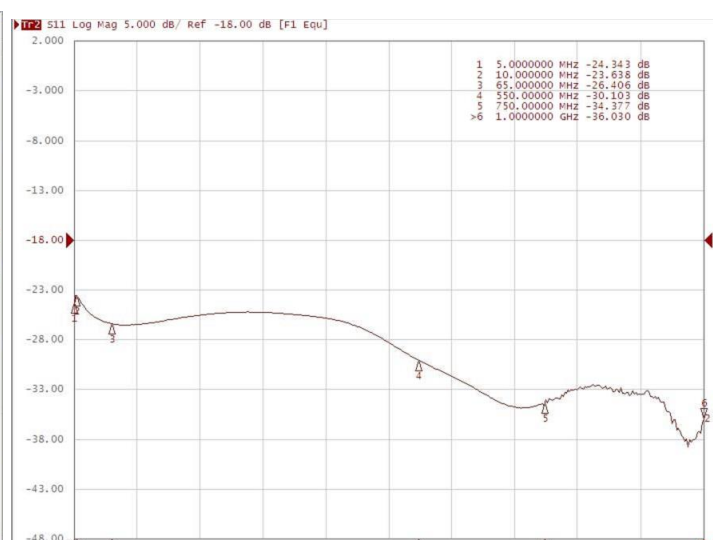
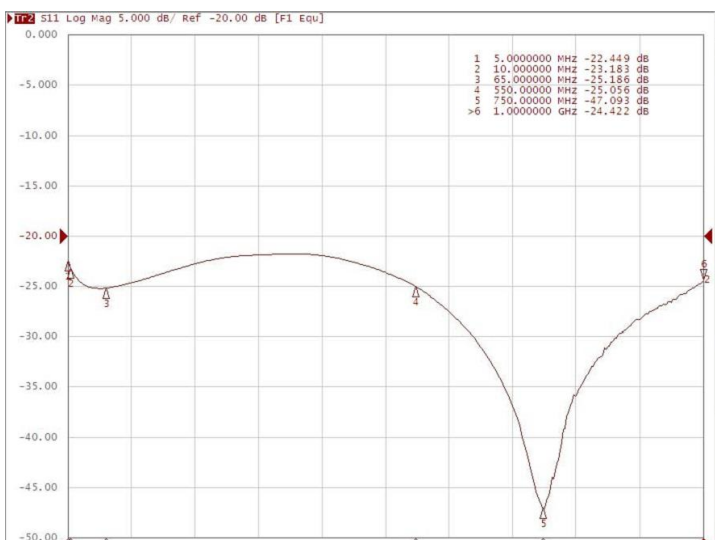
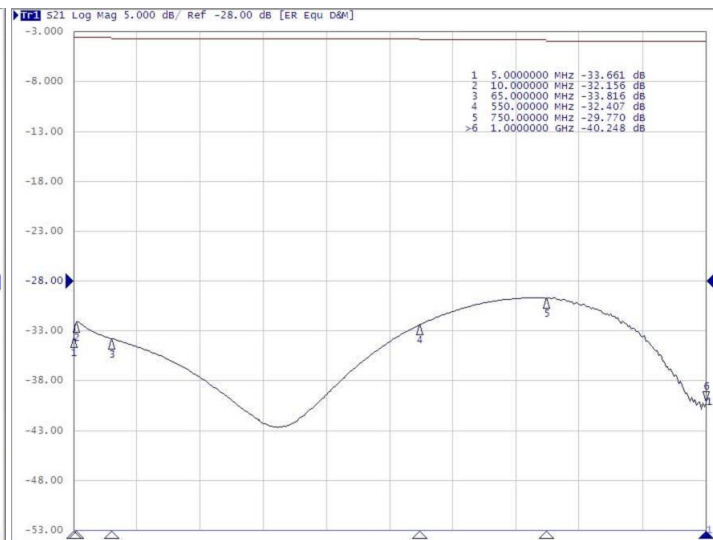
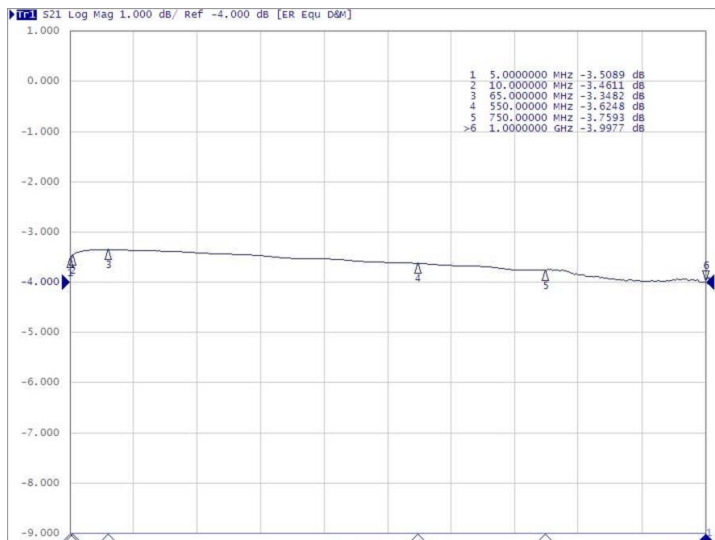


NOTES:

1. ALL SPECIFICATIONS ARE SUBJECT TO CHANGE WITHOUT NOTICE AT ANY TIME
2. CUSTOMER OUTLINE DRAWING FOR REFERENCE ONLY



## Typical Test Result



NOTES:

1. ALL SPECIFICATIONS ARE SUBJECT TO CHANGE WITHOUT NOTICE AT ANY TIME
2. CUSTOMER OUTLINE DRAWING FOR REFERENCE ONLY

