

# TERMINATION

## SMA Series 2Watts

### Features

- ✓ Frequency up to 26.5GHz
- ✓ Low VSWR
- ✓ SMA Precision Series

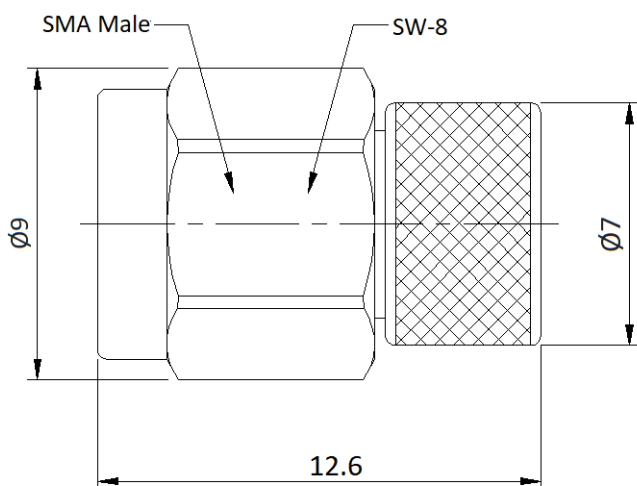


### Specifications

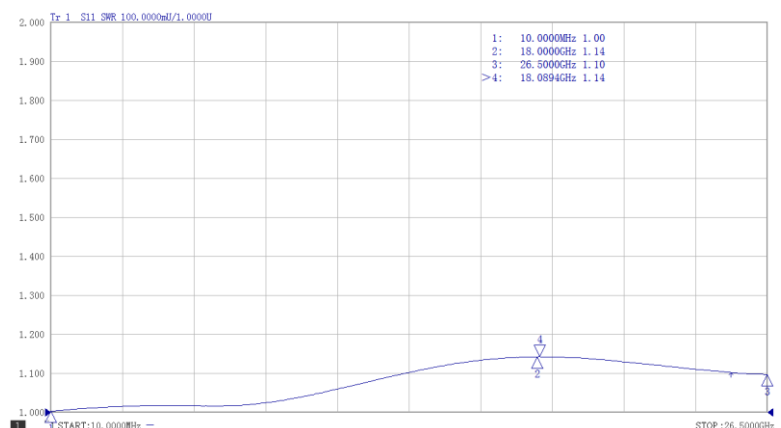
<b>PART NUMBER</b>	MVE5186
<b>DESCRIPTION</b>	SMA Male Termination, 2W DC-26.5GHz
<b>ELECTRICAL</b>	<b>MATERIALS</b>
FREQUENCY : DC-26.5GHz IMPEDANCE: 50ohm VSWR: 1.25:1 MAX. AVERAGE POWER: 2WATT TEMPERATURE RANGE: -55°C TO +125°C	BODY: STAINLESS STEEL, PASSIVATED MALE PIN: BRASS, GOLD PLATED INSULATOR: PTFE

Tolerance: ±0.2mm

### Outline Drawing (Unit: mm)



### Typical Test Result



- NOTES:
1. ALL SPECIFICATIONS ARE SUBJECT TO CHANGE WITHOUT NOTICE AT ANY TIME
  2. CUSTOMER OUTLINE DRAWING FOR REFERENCE ONLY

