

RESISTIVE COUPLER

1-2150MHz , 20dB

Features

- ✓ Impedance: 75ohms
- ✓ 1-way Satellite Tap
- ✓ Input to Output port power passing

Specifications

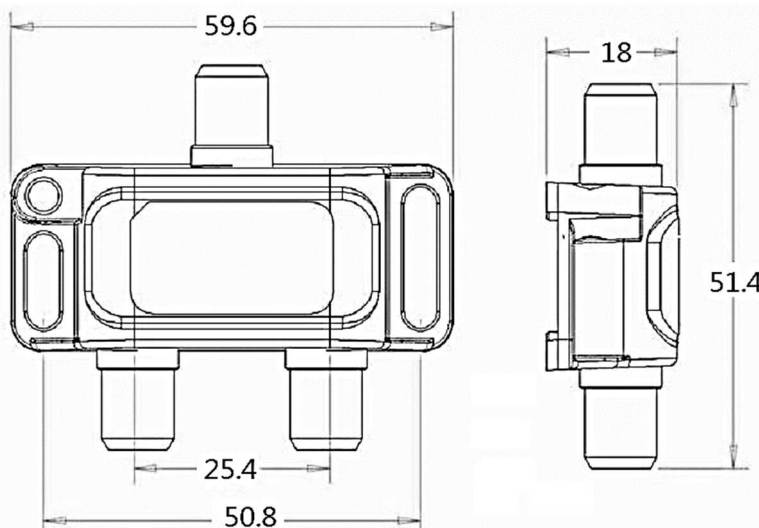
FREQUENCY RANGE: 1-2150MHz

CONNECTOR TYPE: F FEMALE



PART NUMBER	NOMINAL COUPLING (dB)	INSERTION LOSS(dB)			Isolation (dB) MIN.	Return Loss (dB) MIN.	POWER MAX.
		1770MHz	770-1336MHz	1336-2150MHz			
MVE4111-20	20±2.5	1.0	1.8	2.5	20	12	DC 50V/1A

Outline Drawing (Unit: mm)



NOTES:

1. ALL SPECIFICATIONS ARE SUBJECT TO CHANGE WITHOUT NOTICE AT ANY TIME
2. CUSTOMER OUTLINE DRAWING FOR REFERENCE ONLY