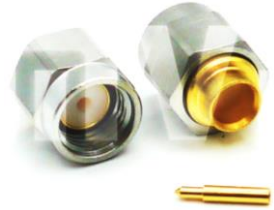


COAXIAL CONNECTOR

SMA TYPE For Cable Assembly

Features

- ✓ Frequency up to 18 GHz
- ✓ High Durability
- ✓ High performance design

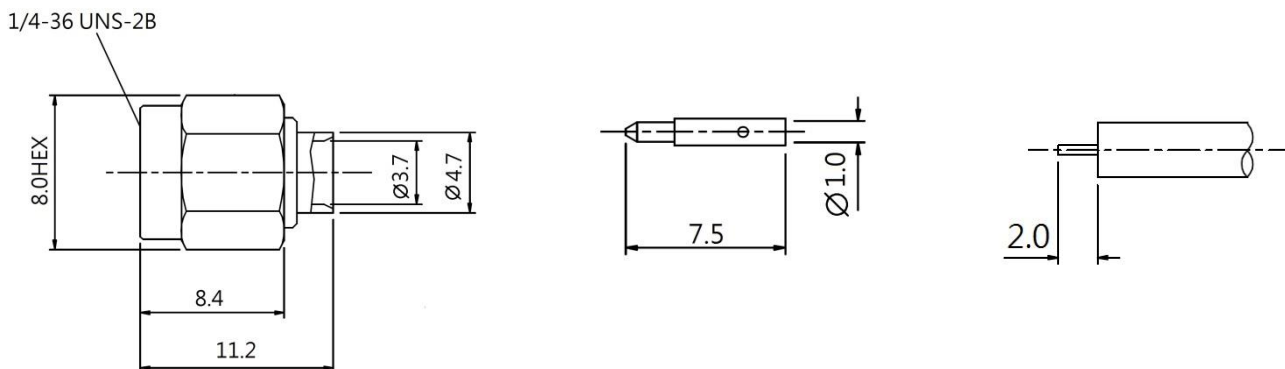


Specifications

PART NUMBER	MVE3917-11.2
DESCRIPTION	50ohm SMA Male S/T for .141 connector, Solder DC-18GHz
ELECTRICAL	
FREQUENCY: DC-18GHz IMPEDANCE: 50 Ω WORKING VOLTAGE: 500Vrms MAX. INSULATION RESISTANCE: 1000 MEGOHMS MIN. DIELECTRIC WITHSTANDING VOLTAGE: 1000Vrms MAX.	
MATERIALS	
BODY: BRASS, GOLD PLATED SHELL: STAINLESS PIN CONTACT: BRASS, GOLD PLATED INSULATOR: TEFLON	

TOLERANCE: X=±0.2 X.X=0.1 X.XX=±0.05

Outline Drawing (Unit: mm)



NOTES:

1. ALL SPECIFICATIONS ARE SUBJECT TO CHANGE WITHOUT NOTICE AT ANY TIME
2. CUSTOMER OUTLINE DRAWING FOR REFERENCE ONLY

