

COAXIAL CONNECTOR

SMA MALE R/A For RG316 CABLE

Features

- ✓ Frequency Range: DC to 6 GHz
- ✓ Convenient assembly
- ✓ High interface performance

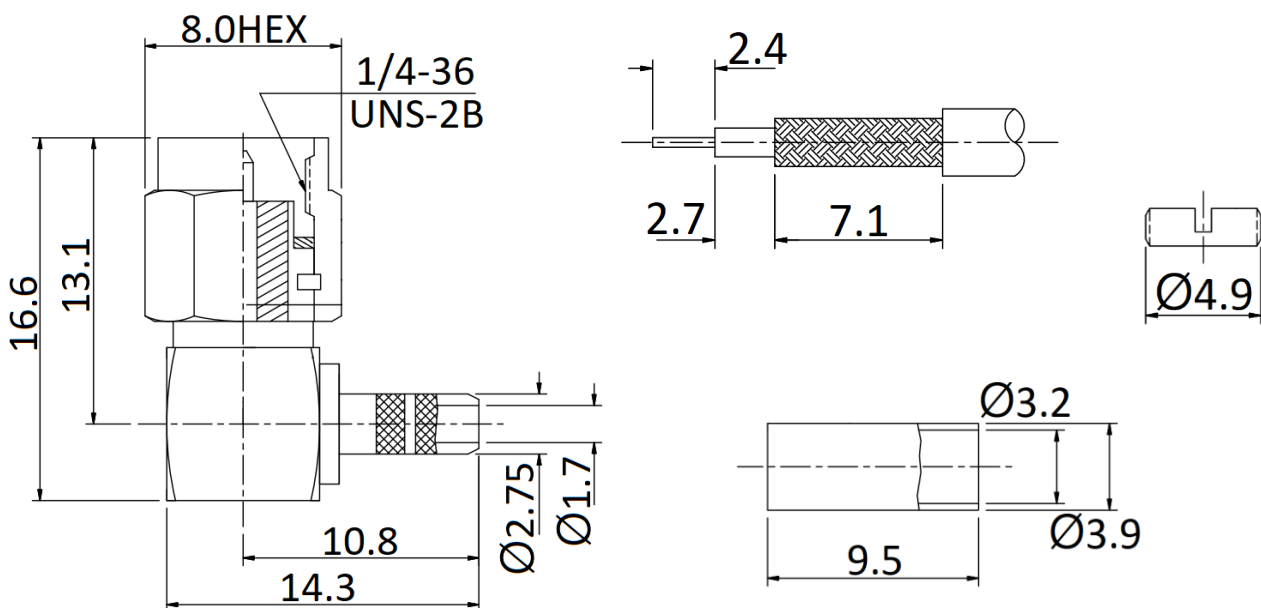


Specifications

PART NUMBER	MVE3826-16.6
DESCRIPTION	SMA Male R/A for RG174/316 Connector, Crimp
ELECTRICAL	MATERIALS
FREQUENCY: DC-6GHz IMPEDANCE: 50 OHMS WORKING VOLTAGE: 375Vrms MAX. DIELECTRIC WITHSTANDING VOLTAGE: 700Vrms MAX. INSULATOR RESISTANCE: 5000 MEGOHMS MIN.	BODY: BRASS, GOLD PLATED CONTACT: BRASS, GOLD PLATED 15u" INSULATOR: TEFLON

TOLERANCE: X=±0.2 X.X=±0.1

Outline Drawing (Unit: mm)



NOTES:

1. ALL SPECIFICATIONS ARE SUBJECT TO CHANGE WITHOUT NOTICE AT ANY TIME
2. CUSTOMER OUTLINE DRAWING FOR REFERENCE ONLY

