

COAXIAL CONNECTOR

75OHM SMB MALE For RG316D CABLE

Features

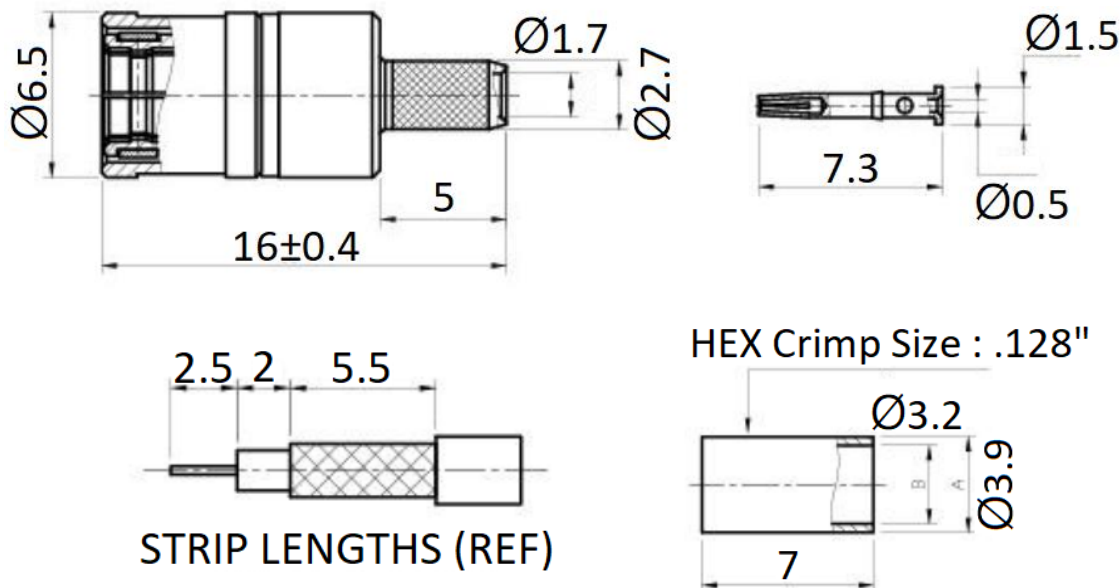
- ✓ Frequency Range: DC to 3 GHz
- ✓ SMB Interface
- ✓ High performance design

Specifications

PART NUMBER	MVE3571-16.0
DESCRIPTION	75ohm SMB Male S/T For RG179 Connector, DC-3GHz
ELECTRICAL	MATERIALS
FREQUENCY: DC-3GHz IMPEDANCE: 75OHM VSWR: 1.3:1 MAX.	BODY: BRASS, GOLD PLATED CONTACT: BERYLLIUM COPPER, GOLD PLATED INSULATOR: TEFLON

Tolerance: X= ±0.2 X.X= ±0.1

Outline Drawing (Unit: mm)



NOTES:

1. ALL SPECIFICATIONS ARE SUBJECT TO CHANGE WITHOUT NOTICE AT ANY TIME
2. CUSTOMER OUTLINE DRAWING FOR REFERENCE ON

