

COAXIAL CONNECTOR

SMA FEMALE For RG316 Cable

Features

- ✓ Frequency Range: DC to 3GHz
- ✓ Convenient assembly
- ✓ High performance design

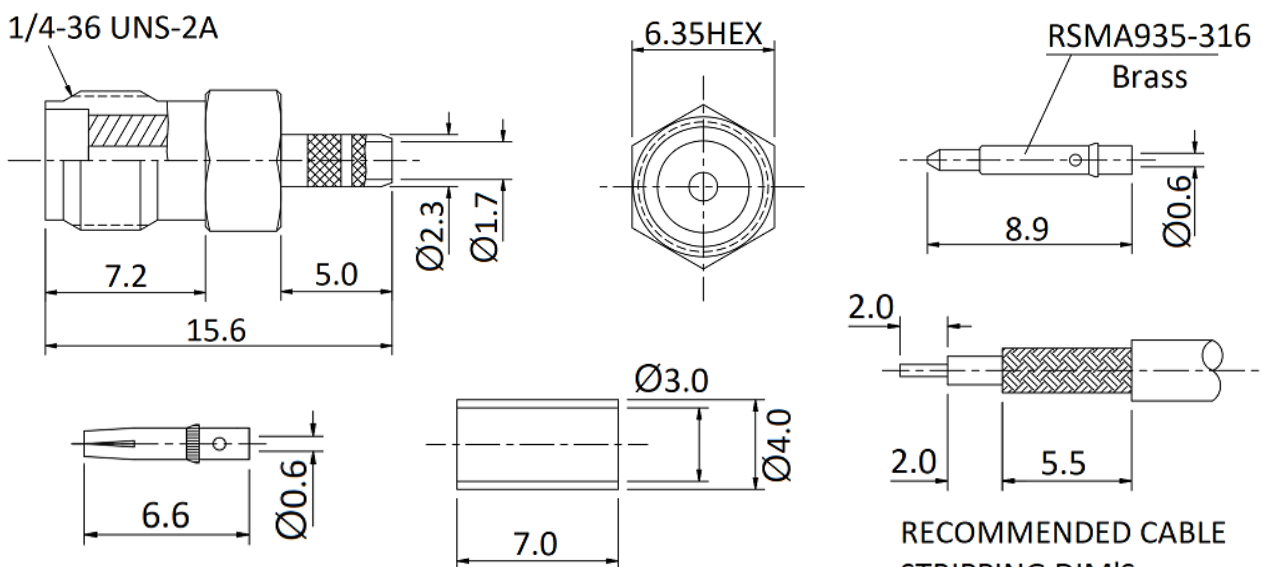


Specifications

PART NUMBER	MVE3550-15.6
DESCRIPTION	SMA Female S/T For RG174/RG316 Connector, Crimp DC-3GHz
ELECTRICAL	
FREQUENCY: DC-3GHz IMPEDANCE: 50 OHM WORKING VOLTAGE: 375Vrms MAX. DIELECTRIC WITHSTANDING VOLTAGE: 750Vrms MAX. INSULATOR RESISTANCE: 5000 MEGOHMS MIN.	
MATERIALS	
BODY: BRASS, GOLD PLATED SHELL: GOLD PLATED CONTACT PIN: BRASS, GOLD PLATED 20 μ " INSULATOR: TEFLON	

TOLERANCE: X.X \pm 0.1

Outline Drawing (Unit: mm)



NOTES:

1. ALL SPECIFICATIONS ARE SUBJECT TO CHANGE WITHOUT NOTICE AT ANY TIME
2. CUSTOMER OUTLINE DRAWING FOR REFERENCE ONLY

