

COAXIAL CONNECTOR

SMA 4 Hole Standard Series

Features

- ✓ Frequency up to 6GHz
- ✓ Low VSWR
- ✓ Delivery From Stock

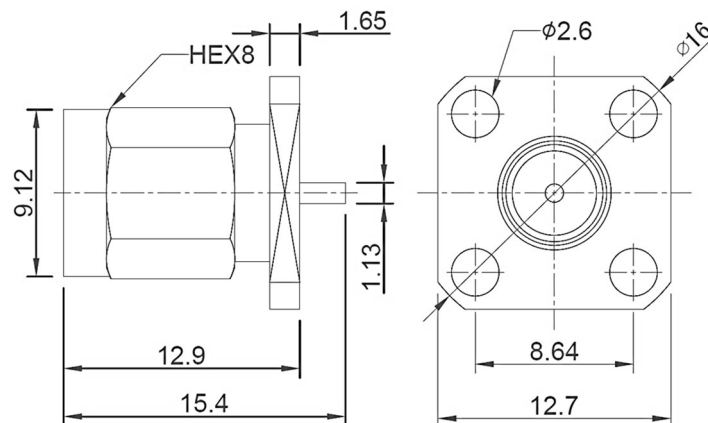


Specifications

PART NUMBER	MVE3422-15.4
DESCRIPTION	SMA Male S/T 4 Hole Flange Connector, DC-12.4GHz(Semi-circle Pin Terminal)
ELECTRICAL	MATERIALS
FREQUENCY: DC-6GHz IMPEDANCE: 50 ohm VSWR: 1.2:1 MAX.	BODY: BRASS, GOLD PLATED CONTACT: BRASS, GOLD PLATED 15u" INSULATOR: TEFLON

TOLERANCE: X=±0.2 X.X=±0.1 X.XX=±0.05

Outline Drawing (Unit: mm)



NOTES:

1. ALL SPECIFICATIONS ARE SUBJECT TO CHANGE WITHOUT NOTICE AT ANY TIME
2. CUSTOMER OUTLINE DRAWING FOR REFERENCE ONLY

