

COAXIAL CONNECTOR

SMP Male FOR SMT TYPE

Features

- ✓ Frequency up to 10GHz
- ✓ Low VSWR
- ✓ High performance design

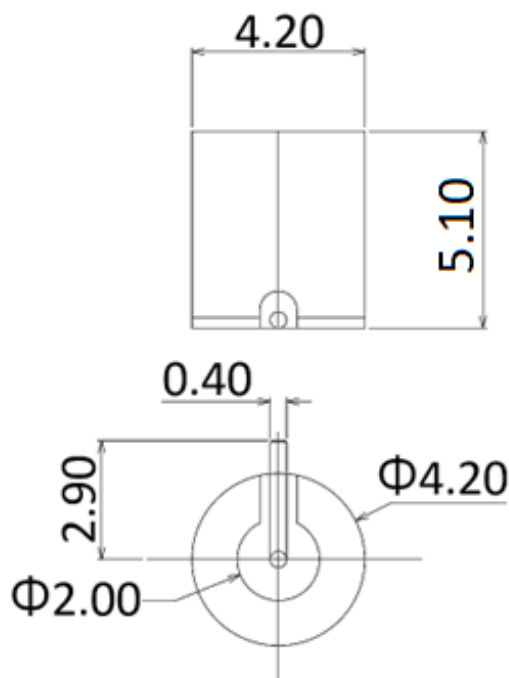


Specifications

PART NUMBER	MVE3313-4.8
DESCRIPTION	SMP Male S/T Connector SMT For PCB Connector, DC-10GHz
ELECTRICAL	MATERIALS
FREQUENCY: DC-10GHz IMPEDANCE: 50 OHM VSWR: 1.5:1 MAX	BODY: BE. COPPER, GOLD PLATED CONTACT: BE. COPPER, GOLD PLATED INSULATOR: TEFLON

Tolerance: X= ±0.2mm X.X= ±0.1mm .XX= ±0.1mm

Outline Drawing (Unit: mm)



- NOTES:
1. ALL SPECIFICATIONS ARE SUBJECT TO CHANGE WITHOUT NOTICE AT ANY TIME
2. CUSTOMER OUTLINE DRAWING FOR REFERENCE ONLY

