

# COAXIAL CONNECTOR

# SMPM Male For PCB Connector

## Features

- ✓ Frequency up to 26.5 GHz
- ✓ Full Detent
- ✓ SMPM Interface

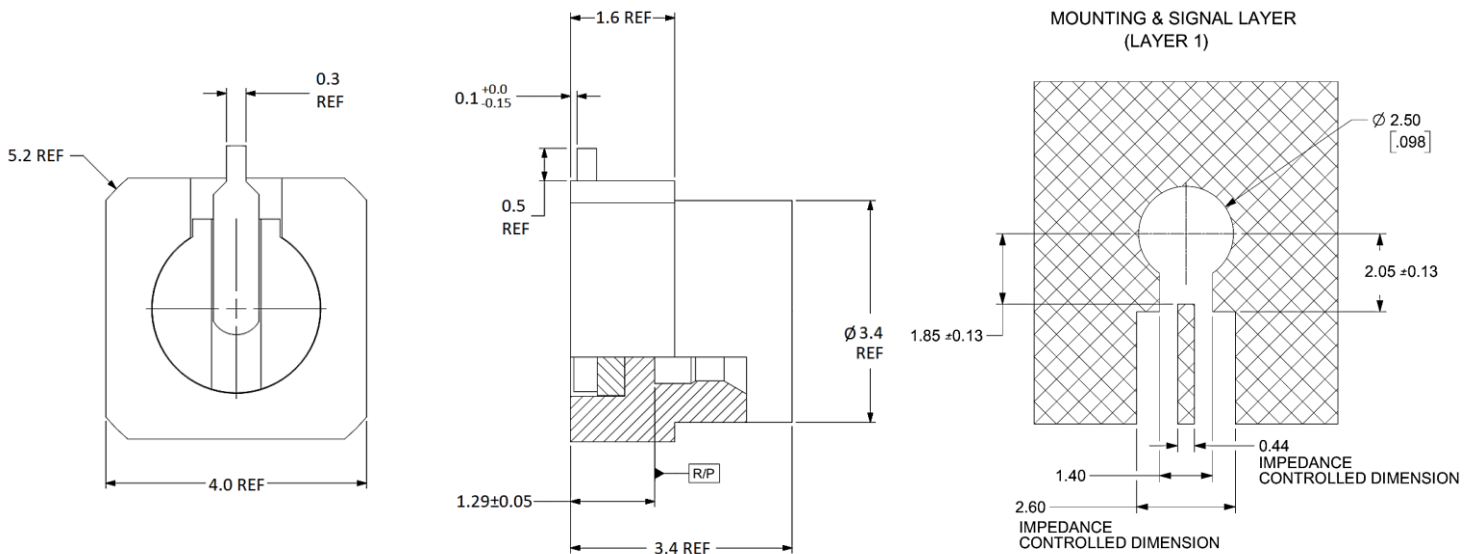


## Specifications

<b>PART NUMBER</b>	MVE3309-0.5
<b>DESCRIPTION</b>	SMPM Male (Pulg) Connector SMT For PCB Connector, DC-26.5GHz
<b>ELECTRICAL</b>	<b>MATERIALS</b>
FREQUENCY : DC-26.5GHz IMPEDANCE: 50Ω POWER / VOLTAGE: VOLT: VOLT: 0217Vrms@SEA LEVEL	BODY: BRASS CONTACT PIN: BRASS FINISH: GOLD (5μ-in MIN.) NICKEL PHOSPHOR (80 μ-in MIN) INSULATOR: LCP

TOLERANCE: X=±0.2 X.X=±0.15

## Outline Drawing (Unit: mm)



**NOTES:**

1. ALL SPECIFICATIONS ARE SUBJECT TO CHANGE WITHOUT NOTICE AT ANY TIME
2. CUSTOMER OUTLINE DRAWING FOR REFERENCE ONLY

