

# COAXIAL CONNECTOR

## SMA FOR PCB TYPE

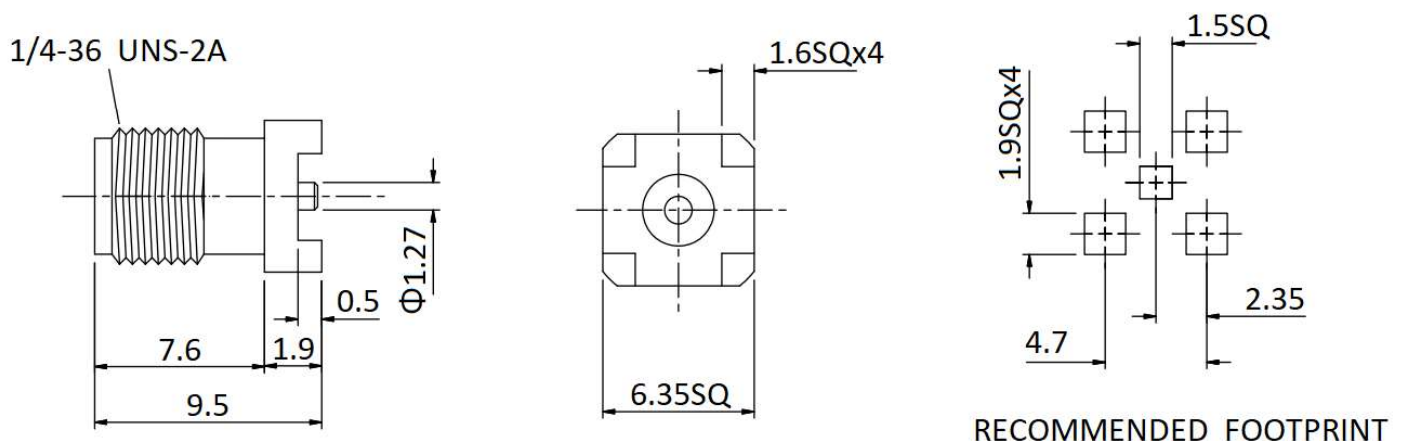
### Features

- ✓ Frequency up to 18GHz
- ✓ Low VSWR
- ✓ High Durability

### Specifications

<b>PART NUMBER</b>	MVE3304-9.5
<b>DESCRIPTION</b>	SMA Female Connector SMT For PCB Connector, DC-18GHz
<b>ELECTRICAL</b>	<b>MATERIALS</b>
FREQUENCY: DC-18GHz IMPEDANCE: 50 OHM VSWR: 1.3:1 MAX. WORKING VOLTAGE: 500Vrms MAX. DIELECTRIC WITHSTANDING VOLTAGE: 1000Vrms MAX. INSULATOR RESISTANCE: 5000 MEGAOHMS MIN. TOLERANCE: X±0.2 X.X=±0.1 .XX=±0.05	BODY: BRASS, GOLD PLATED CONTACT: BE. COPPER, GOLD PLATED INSULATOR: PTFE

### Outline Drawing (Unit: mm)



NOTES:

1. ALL SPECIFICATIONS ARE SUBJECT TO CHANGE WITHOUT NOTICE AT ANY TIME
2. CUSTOMER OUTLINE DRAWING FOR REFERENCE ONLY

