

COAXIAL CONNECTOR

MCX FOR PCB TYPE

Features

- ✓ Frequency up to 6 GHz
- ✓ High Durability
- ✓ High performance design

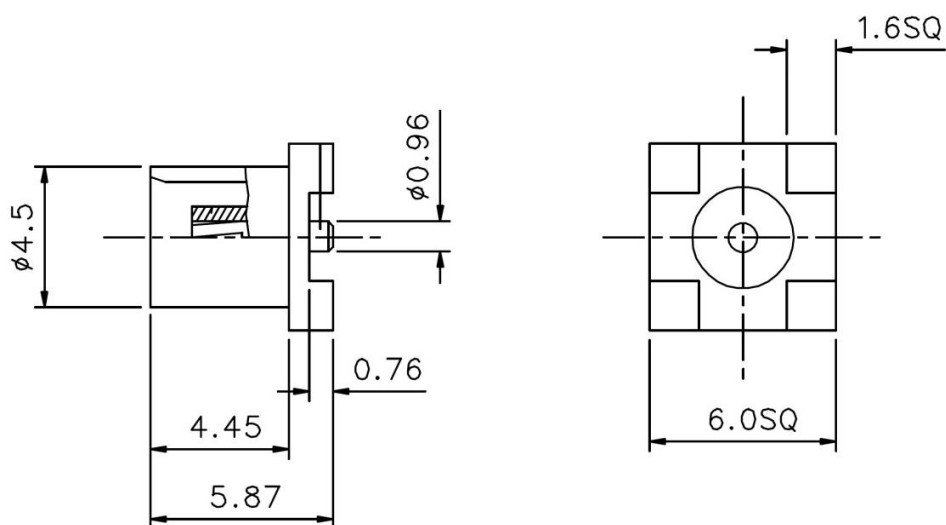


Specifications

PART NUMBER	MVE3301-5.87
DESCRIPTION	50ohm MCX Female S/T SMT For PCB Connector
ELECTRICAL	
FREQUENCY: DC-6GHz IMPEDANCE: 50 OHM WORKING VOLTAGE: 375Vrms MAX. DIELECTRIC WITHSTANDING VOLTAGE: 750Vrms MAX. INSULATOR RESISTANCE: 5000 MEGOHMS MIN.	
MATERIALS	
BODY: BRASS, GOLD PLATED CONTACT: BE. COPPER, GOLD PLATED INSULATOR: TEFLON	

TOLERANCE: X=±0.2 X.X=±0.1 X.XX=±0.05

Outline Drawing (Unit: mm)



NOTES:

1. ALL SPECIFICATIONS ARE SUBJECT TO CHANGE WITHOUT NOTICE AT ANY TIME
2. CUSTOMER OUTLINE DRAWING FOR REFERENCE ONLY

