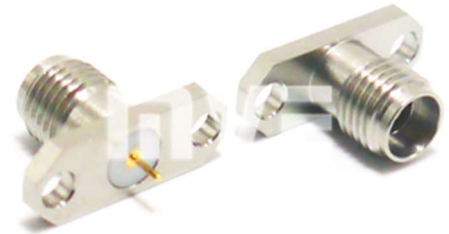


COAXIAL CONNECTOR

SMA Precision Series

Features

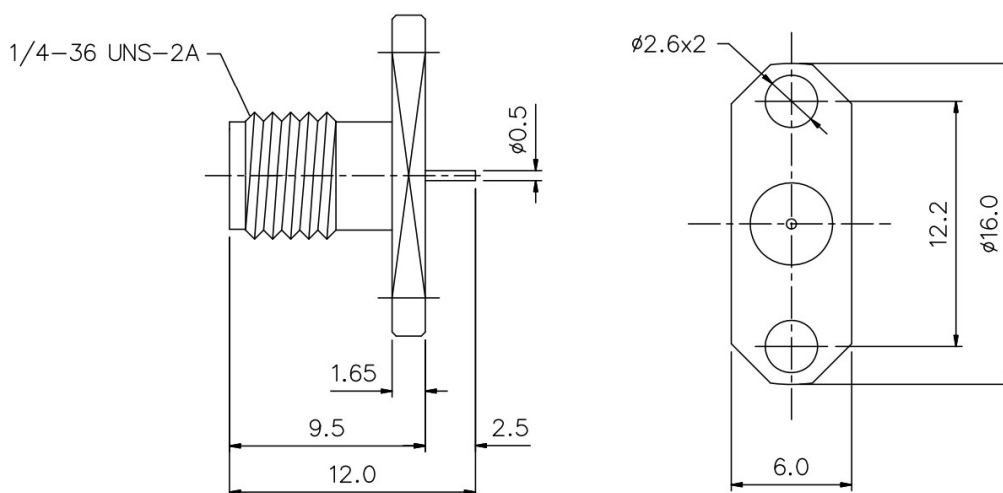
- ✓ Frequency up to 18 GHz
- ✓ High Durability
- ✓ High performance design



Specifications

| PART NUMBER | MVE3210-12H |
|--|---|
| DESCRIPTION | 50ohm SMA Female S/T 2 Hole flange, Connector OD:0.5 DC-18GHz |
| ELECTRICAL | MATERIALS |
| FREQUENCY: DC-18GHz IMPEDANCE: 50 OHM WORKING VOLTAGE: 500Vrms MAX. DIELECTRIC WITHSTANDING VOLTAGE:1000Vrms MAX. INSULATOR RESISTANCE: 5000 MEGOHMS MIN. TOLERANCE: X=±0.2 X.X=±0.1 X.XX=±0.05 | BODY: STAINLESS PASSTIVATED CONTACT: BE. COPPER, GOLD PLATED 30u" INSULATOR: PTFE |

Outline Drawing (Unit: mm)



NOTES:

1. ALL SPECIFICATIONS ARE SUBJECT TO CHANGE WITHOUT NOTICE AT ANY TIME
2. CUSTOMER OUTLINE DRAWING FOR REFERENCE ONLY

