

COAXIAL CONNECTOR

SMA 2 HOLE FOR PCB TYPE

Features

- ✓ Frequency up to 6 GHz
- ✓ Low VSWR
- ✓ High Durability

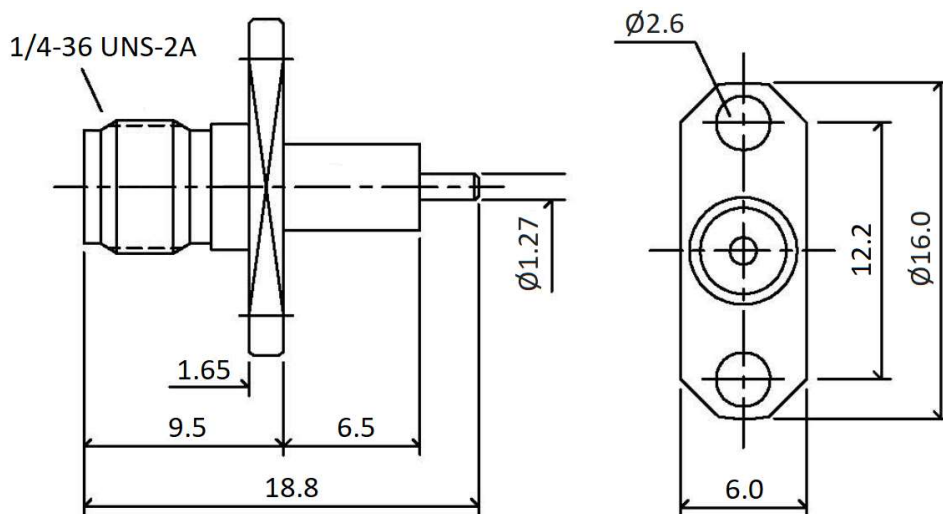


Specifications

PART NUMBER	MVE3202-18.8
DESCRIPTION	SMA Female S/T 2 Hole Flange Connector
ELECTRICAL	MATERIALS
FREQUENCY: DC-6GHz IMPEDANCE: 50 OHM WORKING VOLTAGE: 500Vrms MAX. DIELECTRIC WITHSTANDING VOLTAGE: 1000Vrms MAX. INSULATOR RESISTANCE: 5000 MEGOHMS MIN.	BODY: BRASS, GOLD PLATED CONTACT: BE COPPER, GOLD PLATED 20u" INSULATOR: TEFLON

TOLERANCE: X=±0.2 X.X=±0.1 X.XX=±0.05

Outline Drawing (Unit: mm)



NOTES:

1. ALL SPECIFICATIONS ARE SUBJECT TO CHANGE WITHOUT NOTICE AT ANY TIME
2. CUSTOMER OUTLINE DRAWING FOR REFERENCE ONLY

