

ELECTRICAL DATA

FREQUENCY : DC-6GHz

IMPEDANCE: 50Ω

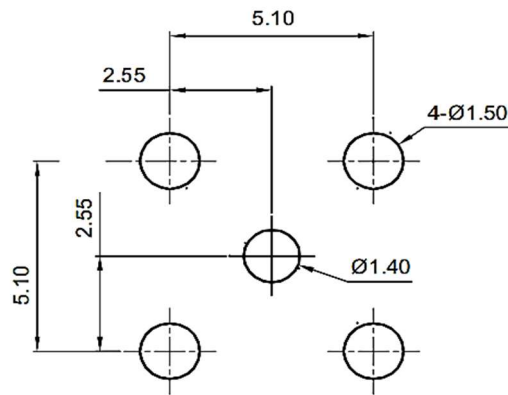
INSULATION RESISTANCE: $\geq 5000 M\Omega$

WITHSTANDING VOLTAGE: 1000 V

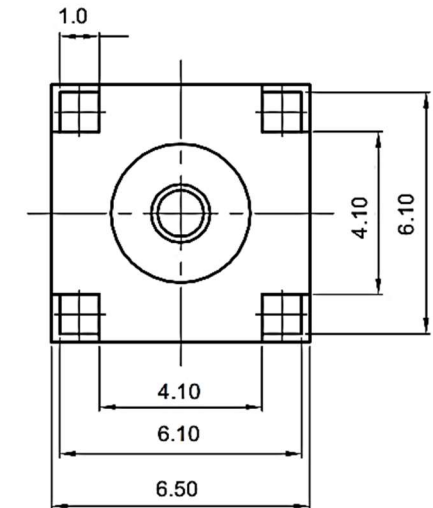
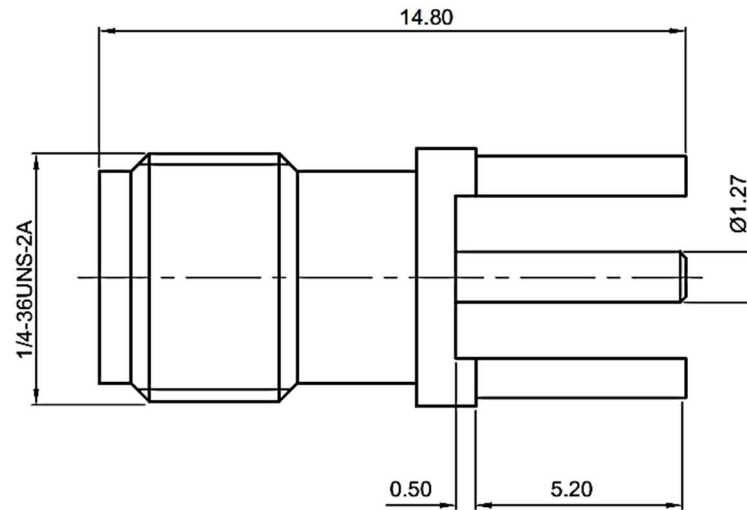
MECHANICAL

TEMPERATURE RANGE: -55°C~+165°C

DURABILITY: >500



Recommended Mounting Hole



DESCRIPTION	MATERIALS	ROHS COMPLIANCE	UNIT: mm
BODY	BRASS,GOLD PLATED	TOLERANCE: X=±0.5 X.X=±0.2	
CONTACT PIN	BERYLLIUM COPPER ALLOY,GOLD PLATED	TITLE SMA Female S/T For PCB Connector, DIP DC-6GHz	
INSULATOR	PTFE		



芝程科技有限公司

www.micro-mve.com

DC-67GHz RF& Microwave Components

PART NO.

MVE3133-14.8

REV
A

SIZE: A

SHEET: 1/1

SCALE:

NOTES

1. ALL SPECIFICATIONS ARE SUBJECT TO CHANGE WITHOUT NOTICE AT ANY TIME
2. CUSTOMER OUTLINE DRAWING FOR REFERENCE ONLY