

# COAXIAL CONNETOR

# MMCX SMT TYPE

## Features

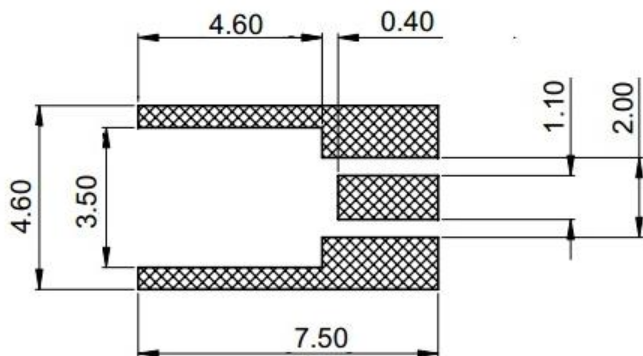
- ✓ Frequency Range: DC to 6 GHz
- ✓ High performance design
- ✓ High Durability

## Specifications

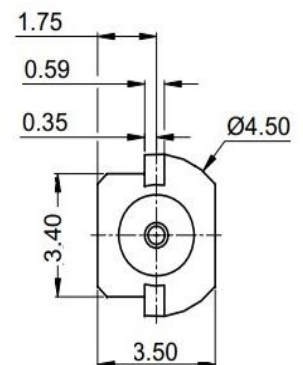
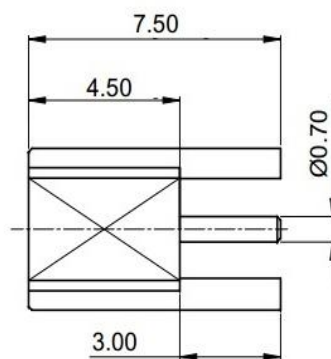
<b>PART NUMBER</b>	MVE3132-7.5
<b>DESCRIPTION</b>	MMCX Female S/T SMT For PCB Connector, DC-6GHz
<b>ELECTRICAL</b>	IMPEDANCE: 50Ω INSULATION RESISTANCE: $\geq 1000M\Omega$ DURABILITY(MATINGS): >500 WITHSTANDING VOLTAGE: 500V TEMPERATURE RANGE -65 °C~+165°C
<b>MATERIALS</b>	BODY: BRASS, GOLD-PLATED PIN CONTACT: BERYLLIUM COPPER ALLOY, GOLD-PLATED INSULATOR: PTFE

TOLERANCE: X=±0.5 X.X=±0.2 X.XX=±0.13

## Outline Drawing (Unit: mm)



Recommended Soldering Pads



NOTES:

1. ALL SPECIFICATIONS ARE SUBJECT TO CHANGE WITHOUT NOTICE AT ANY TIME
2. CUSTOMER OUTLINE DRAWING FOR REFERENCE ONLY

