

COAXIAL CONNETTOR

SMA Female BH FOR DIP TYPE

Features

- ✓ Frequency up to 6GHz
- ✓ Low VSWR
- ✓ Delivery from stock

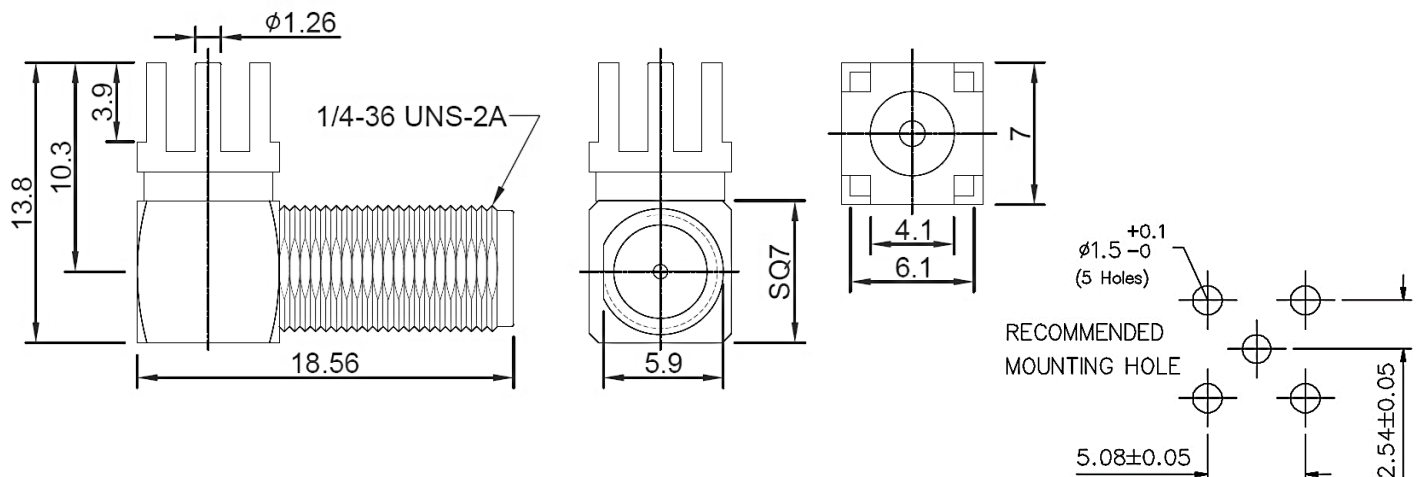


Specifications

PART NUMBER	MVE3115-18.4
DESCRIPTION	SMA Female Reverse B.H R/A For PCB Connector, DIP Type/DC-6GHz
ELECTRICAL	MATERIALS
FREQUENCY: DC-6GHz IMPEDANCE: 50ohm VSWR:1.25:1 MAX. DURABILITY:500 Cycles	BODY: BRASS, GOLD PLATED CONTACT: GOLD PLATED INSULATOR: TEFLON

TOLERANCE: X=±0.38 X.X=±0.25 X.XX=±0.15

Outline Drawing (Unit: mm)



NOTES:

1. ALL SPECIFICATIONS ARE SUBJECT TO CHANGE WITHOUT NOTICE AT ANY TIME
2. CUSTOMER OUTLINE DRAWING FOR REFERENCE ONLY

