

COAXIAL CONNETOR

SMA FOR PCB TYPE

Features

- ✓ Impedance :50ohm
- ✓ Low VSWR

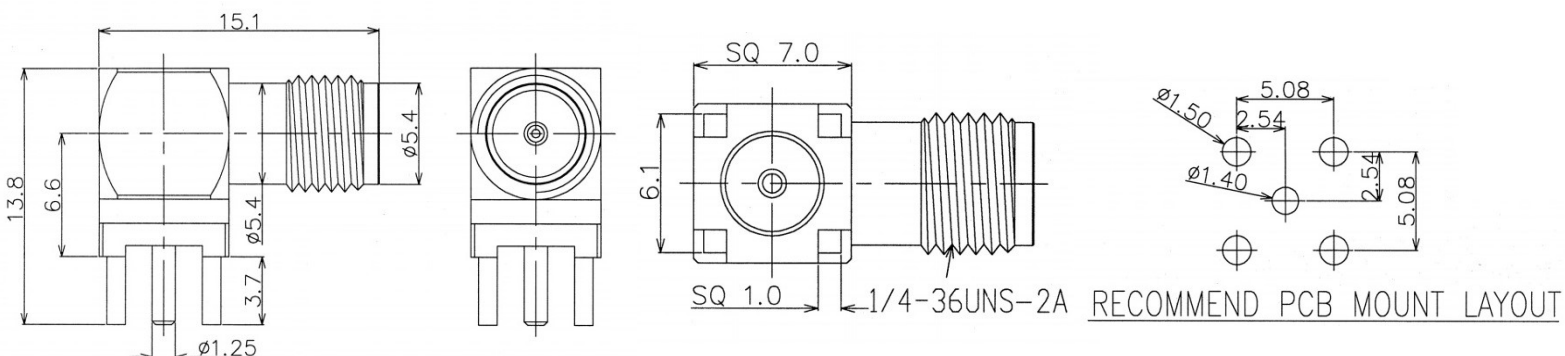
Specifications



PART NUMBER	MVE3115-15.1
DESCRIPTION	50ohm SMA Female Reverse R/A For PCB Connector, DIP DC-6GHz
ELECTRICAL	MATERIALS
FREQUENCY: DC-6GHz IMPEDANCE: 50 OHM VSWR:1.25:1 Max. WORKING VOLTAGE: 170 Vrms Max. DIELECTRIC WITHSTANDING VOLTAGE: 500 Vrms INSULATOR RESISTANCE: 1000 MEG-Ohms CCENTER CONTACT RESISTANCE:4.0 mini-Ohms OUT CONTACT RESISTANCE:2.5 mini-Ohms DURABILITY:500 Cycles	BODY: BRASS, GOLD PLATED CONTACT: GOLD PLATED INSULATOR: TEFLON

TOLERANCE: X=±0.38 X.X=±0.25 X.XX=±0.15

Outline Drawing (Unit: mm)



NOTES:

1. ALL SPECIFICATIONS ARE SUBJECT TO CHANGE WITHOUT NOTICE AT ANY TIME
2. CUSTOMER OUTLINE DRAWING FOR REFERENCE ONLY

