

# COAXIAL CONNECTOR

## BNC For PCB Type

### Features

- ✓ Frequency up to 3GHz
- ✓ Low VSWR
- ✓ Delivery From Stock

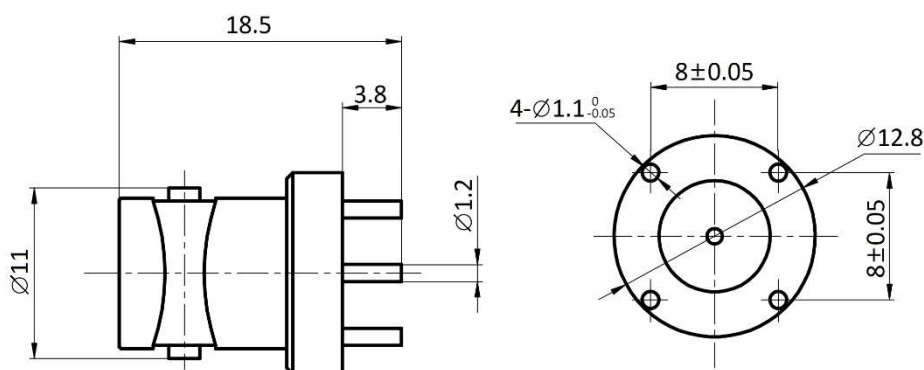


### Specifications

<b>PART NUMBER</b>	MVE3114-18.5
<b>DESCRIPTION</b>	BNC Female S/T For PCB Connector, DIP DC-3GHz
<b>ELECTRICAL</b>	<b>MATERIALS</b>
FREQUENCY: DC-3GHz IMPEDANCE: 50 ohm WORKING VOLTAGE: 500Vrms MAX. DIELECTRIC WITHSTANDING VOLTAGE: 1000Vrms MAX.	BODY: BRASS,NICKEL PLATED CONTACT: BRASS, GOLD PLATED INSULATOR: TEFLON

TOLERANCE: X=±0.2 X.X=±0.1 X.XX=±0.05

### Outline Drawing (Unit: mm)



NOTES:

1. ALL SPECIFICATIONS ARE SUBJECT TO CHANGE WITHOUT NOTICE AT ANY TIME
2. CUSTOMER OUTLINE DRAWING FOR REFERENCE ONLY

